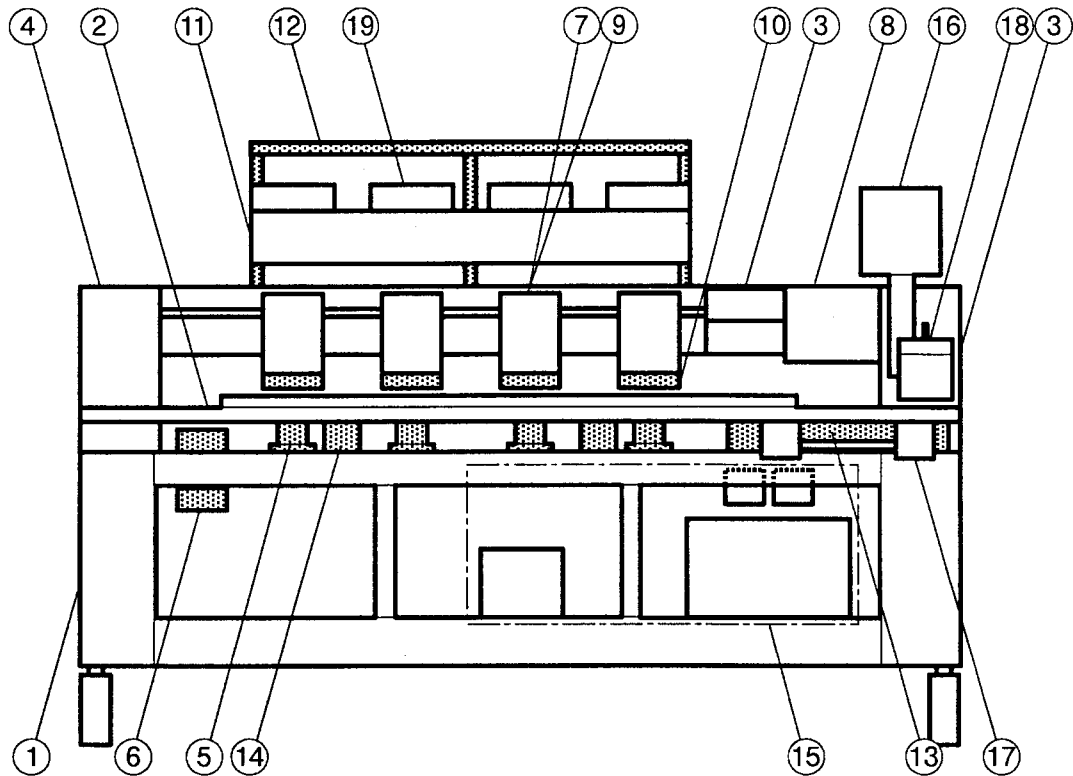


INDEX



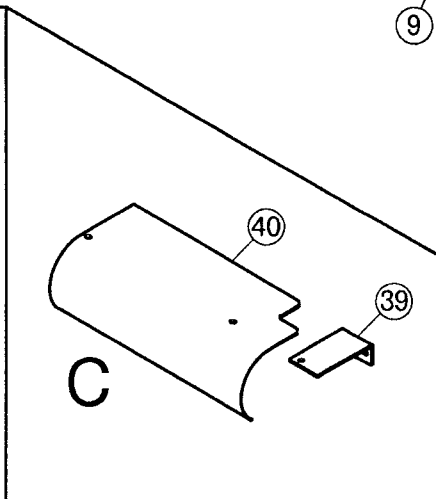
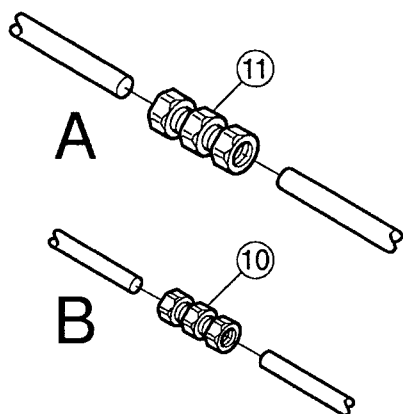
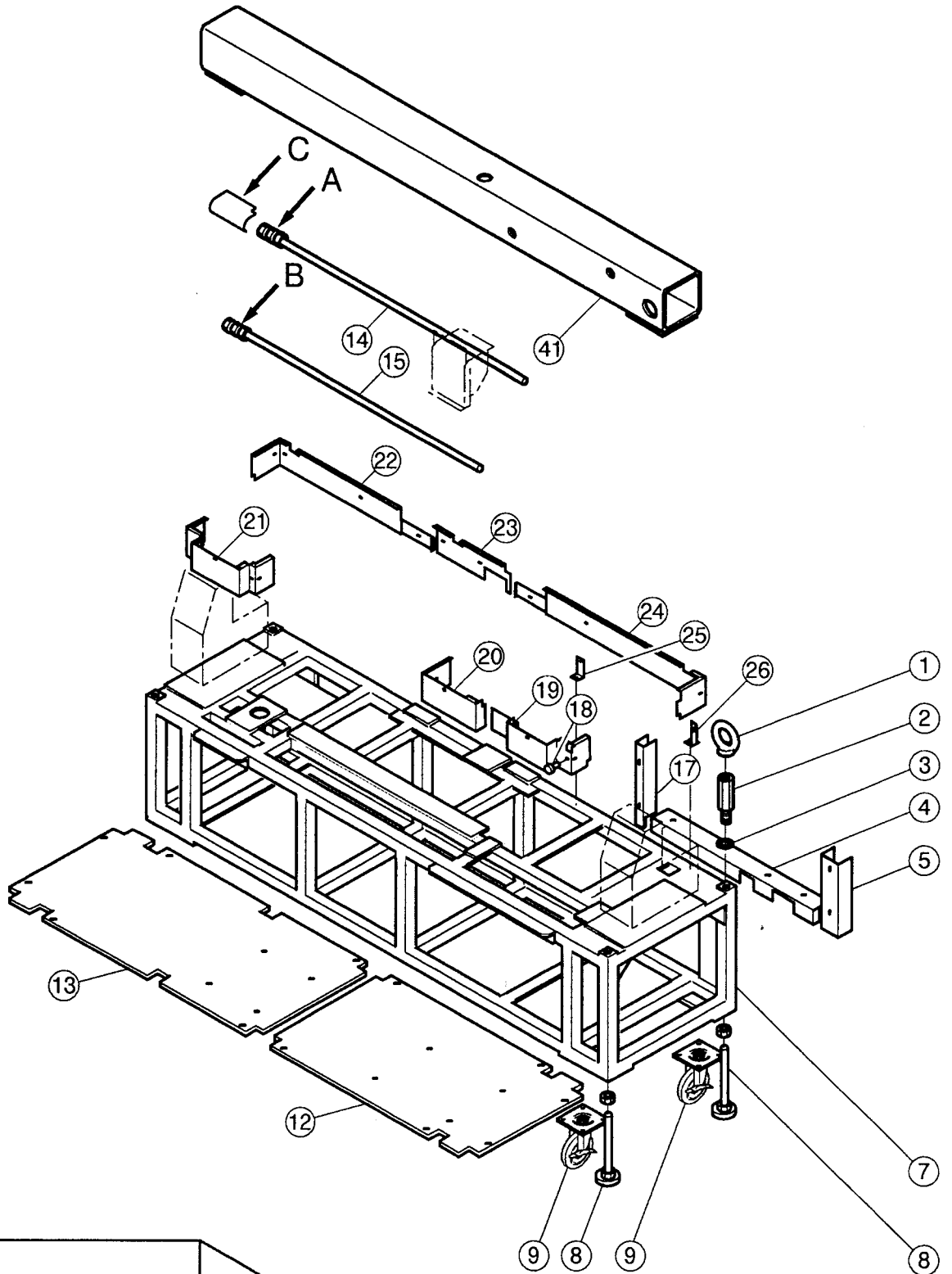
①FRAME (804A) -----	1.0	1.1	⑪THREAD TENSION UNIT -----	11.0	11.1
①FRAME (804) -----	1.2	1.3	⑫THREAD STAND -----	12.0	12.1
②TABLE -----	2.0	2.1	⑬X CARRIAGE -----	13.0	13.1
③SUPPORT BOX RIGHT (804A) -----	3.0	3.1	⑭Y CARRIAGE 1 -----	14.0	14.1
③SUPPORT BOX RIGHT (804) -----	3.2	3.3	⑭Y CARRIAGE 1 -----	14.2	14.3
④SUPPORT BOX LEFT -----	4.0	4.1	⑭Y CARRIAGE 2 -----	14.4	14.5
⑤HEAD BED -----	5.0	5.1	⑮EACU -----	15.0	15.1
⑥THREAD CUT ACTUATION UNIT -----	6.0	6.1	⑮THREAD CATCH DRIVER -----	15.2	15.3
⑦FIXED HEAD -----	7.0	7.1	⑯CONTROL BOX -----	16.0	16.1
⑧NEEDLE BAR SELECTION UNIT -----	8.0	8.1	⑰BAR SWITCH -----	17.0	17.1
⑨MOVING HEAD -----	9.0	9.1	⑱TAPE READER ----- (OPTION) -----	18.0	18.1
⑩THREAD CATCHER ----- (OPTION) -----	10.0	10.1	⑱BOBBIN WINDER -----	18.2	18.3
⑩CLIP TYPE THREAD CATCHER (OPTION) -----	10.2	10.3	⑲ROTARY TYPE THREAD BREAK DETECTING DEVICE ----- (OPTION) -----	19.0	19.1

EXPLANATION OF NOMENCLATURE

組	指図	部品番号	部品名	NOTE/備考
Ass'y	El't	PARTS No.	PARTS NAMES	
	##	#####	#####	
	##	#####	#####	~#####-###
##	##	#####	#####	#####-###~
###	##	→###, ##	#####	
①②	③	④ ⑤		⑥ ⑦

- ① That this parts, are component of assembly parts of element No. that was indicated here is shown.
- ② Parts with mark "*", we can not supply as individual parts because of the unit assembly parts and/or accessory.
- ③ It is the element No. of this parts in illustrations.
- ④ It is parts No. or a dimension parts.
- ⑤ This parts is entered to other page of that mark "→" shows.
- ⑥ Parts available up to this machine number.
- ⑦ Parts available from this machine number.

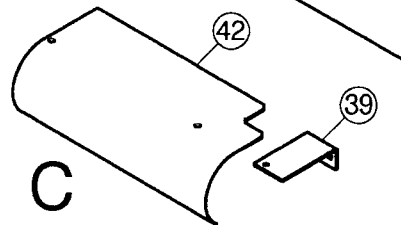
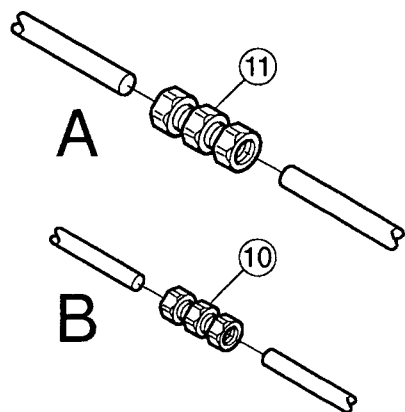
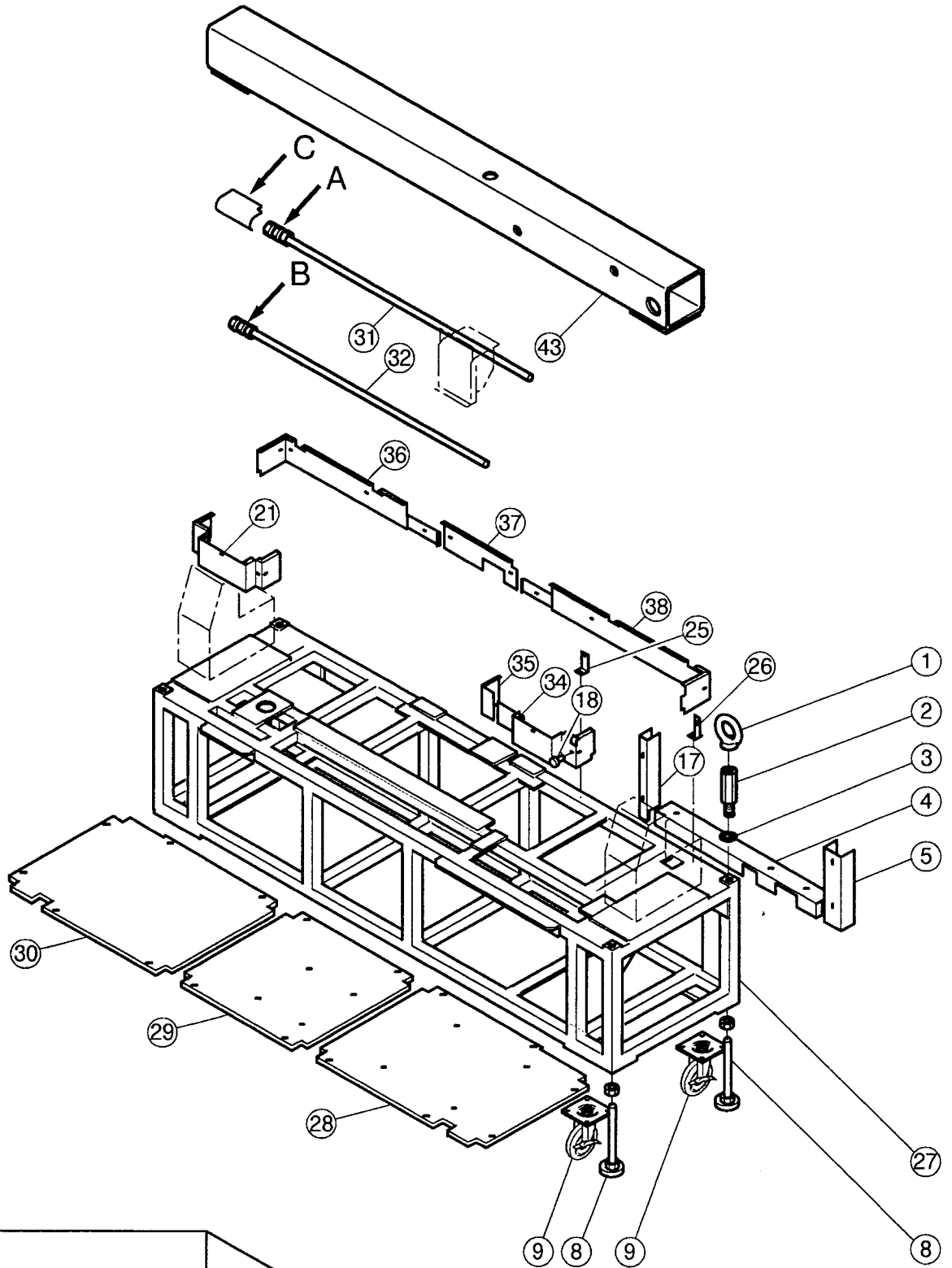
※ Specifications are subject to change without notice.
 ※ When you place parts orders, please state machine model (example : HMS-804A-58TTC), machine number and if machine is with option (example : Tape reader) or not.



FRAME (804A)

1.1

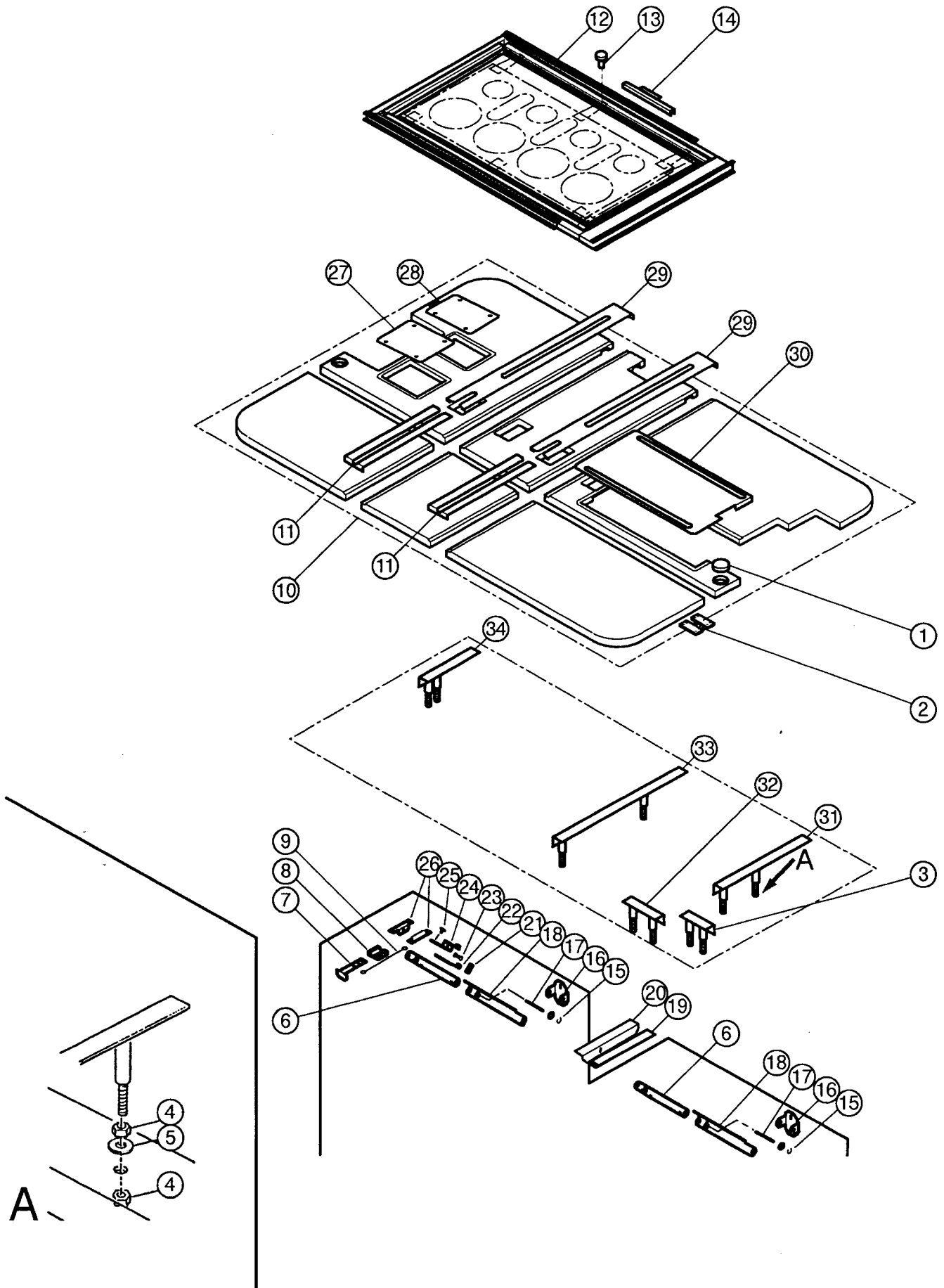
組	指図	部品番号		S848831
Ass'y	El't	PARTS No.	PARTS NAMES	NOTE / 備考
	1	MPZ01210	Eye bolt (for hoisting)	
	2	SF400060	Stud (for hoisting)	
	3	MPB00180	Plastic thrust washer (TW2040)	
	4	SF527070	Duct 2 (center)	
	5	SF527060	Duct 1 (right)	
	7	SF500022	Frame	
	8	MPZ01790	Adjuster	
	9	MPZ02060	Caster	
	10	MPC00010	N-coupling (15-15)	
	11	MPC00020	N-coupling (20-20)	
	12	SF500050	Floor plate (right)	
	13	SF500060	Floor plate (Left)	
	14	SF508000	Upper shaft	
	15	M0404472	Lower shaft B6	
	17	SF527080	Duct 3 (left)	
	18	MPZ00990	Thumb knob	
	19	SF530560	Lower cover (F)	
	20	SF530372	Lower cover (B)	
	21	SF530362	804 Lower cover (A)	
	22	SF530392	Lower cover (D)	
	23	SF530381	Lower cover (C)	
	24	SF530404	Lower cover (E)	
	25	SF530350	Bracket (B) for Lower cover	
	26	SF530340	Bracket (A) for Lower cover	
	39	HMF13150	Bracket for upper shaft cover	
	40	SF513050	upper shaft cover (left) A	
	41	SF500230	Beam	



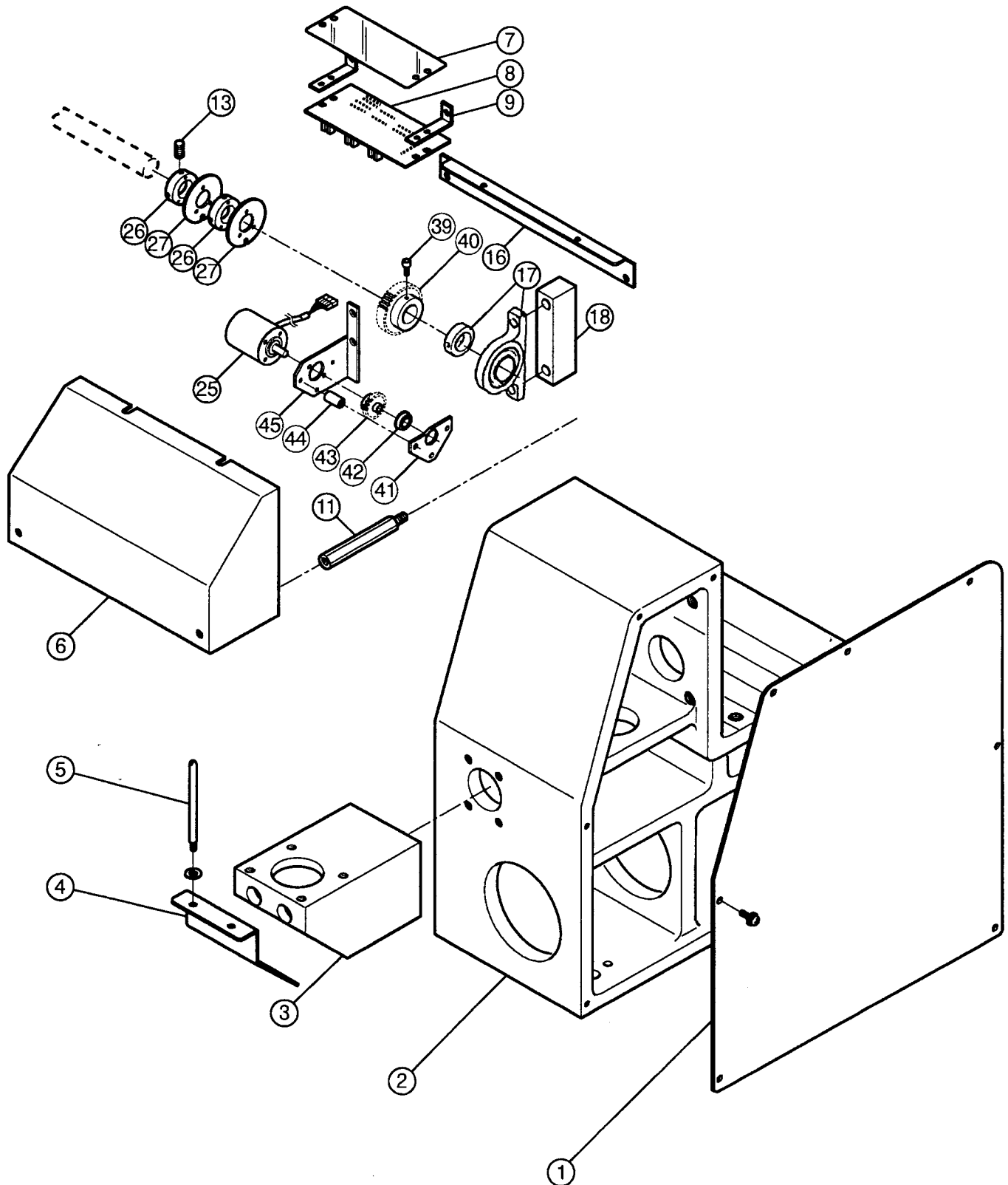
FRAME (804)

1.3

組 Ass'y	指図 Elt	部品番号 PARTS No.	PARTS NAMES	S848831 NOTE / 備考
	1	MPZ01210	Eye bolt (for hoisting)	
	2	SF400060	Stud (for hoisting)	
	3	MPB00180	Plastic thrust washer (TW2040)	
	4	SF527070	Duct 2 (center)	
	5	SF527060	Duct 1 (right)	
	8	MPZ01790	Adjuster	
	9	MPZ02060	Caster	
	10	MPC00010	N-coupling (15-15)	
	11	MPC00020	N-coupling (20-20)	
	17	SF527080	Duct 3 (left)	
	18	MPZ00990	Thumb knob	
	21	SF530362	804 Lower cover (A)	
	25	SF530350	Bracket (B) for Lower cover	
	26	SF530340	Bracket (A) for Lower cover	
	27	SF500171	Frame	
	28	SF500190	Floor plate (right)	
	29	SF500200	Floor plate (center)	
	30	SF500211	Floor plate (left)	
	31	SF508040	Upper shaft	
	32	M0404482	Lower shaft B8	
	34	SF530680	Lower cover (B)	
	35	SF530670	Lower cover (A)	
	36	SF530710	Lower cover (E)	
	37	SF530700	Lower cover (D)	
	38	SF530690	Lower cover (C)	
	39	HMF13150	Bracket for upper shaft cover	
	42	SF513060	upper shaft cover (left) B	
	43	SF500180	Beam	



組 Ass'y	指図 Elt	部品番号 PARTS No.	PARTS NAMES	S848831 NOTE / 備考
	1	M0431560	Lid for table hole	
	2	MPZ01230	Hinge	
	3	SF530070	Table support 1	
	4	NA12000D	Nut (M12)	
	5	WA12000D	Washer (M12)	
	6	SF530160	Stay (upper)	
	7	SF530250	Releasing plate (A) for stay	
	8	SF530181	Releasing plate for stay	
	9	SF530190	Releasing rope for stay	
	10	SF530005	804A table ass'y	
	10	SF530582	804 table ass'y	
	11	SF530311	Y carriage cover, front	
	12	SF537200	804A frame ass'y	
	12	SF537130	804 frame ass'y	
	13	M0437002	Knob screw	
	14	M0437016	Clip (300mm)	
	14	HMF37550	Clip (280mm)	
	14	M0437056	Clip (190mm)	
	14	M0437836	Clip (170mm)	
	15	MPR00370	E-ring (E-6)	
	16	SF530140	Connecting plate (A) for stay	
	17	SF530210	Stay shaft	
	18	SF530151	Stay (lower)	
	19	SF530121	Table support 6	
	20	SF530130	Table support 7	
	21	SF530260	Compression spring for stay	
	22	SF530240	Fixing plate (B) for stay	
	23	SF530201	Fixing spring for stay	
	24	SF530232	Fixing plate (A) for stay	
	25	SF530221	Guide shaft for stay	
	26	SF530170	Connecting plate (B) for stay	
	27	SF530290	Thread cut cover	
	28	SF530290	Thread cut cover (804A)	
	28	SF530300	Motor cover (804)	
	29	SF530321	Y carriage cover, rear	
	30	SF530332	804A X carriage cover	
	30	SF530731	804 X carriage cover	
	31	SF530080	Table support 2	
	32	SF530110	Table support 5	
	33	SF530090	Table support 3	
	34	SF530100	Table support 4	



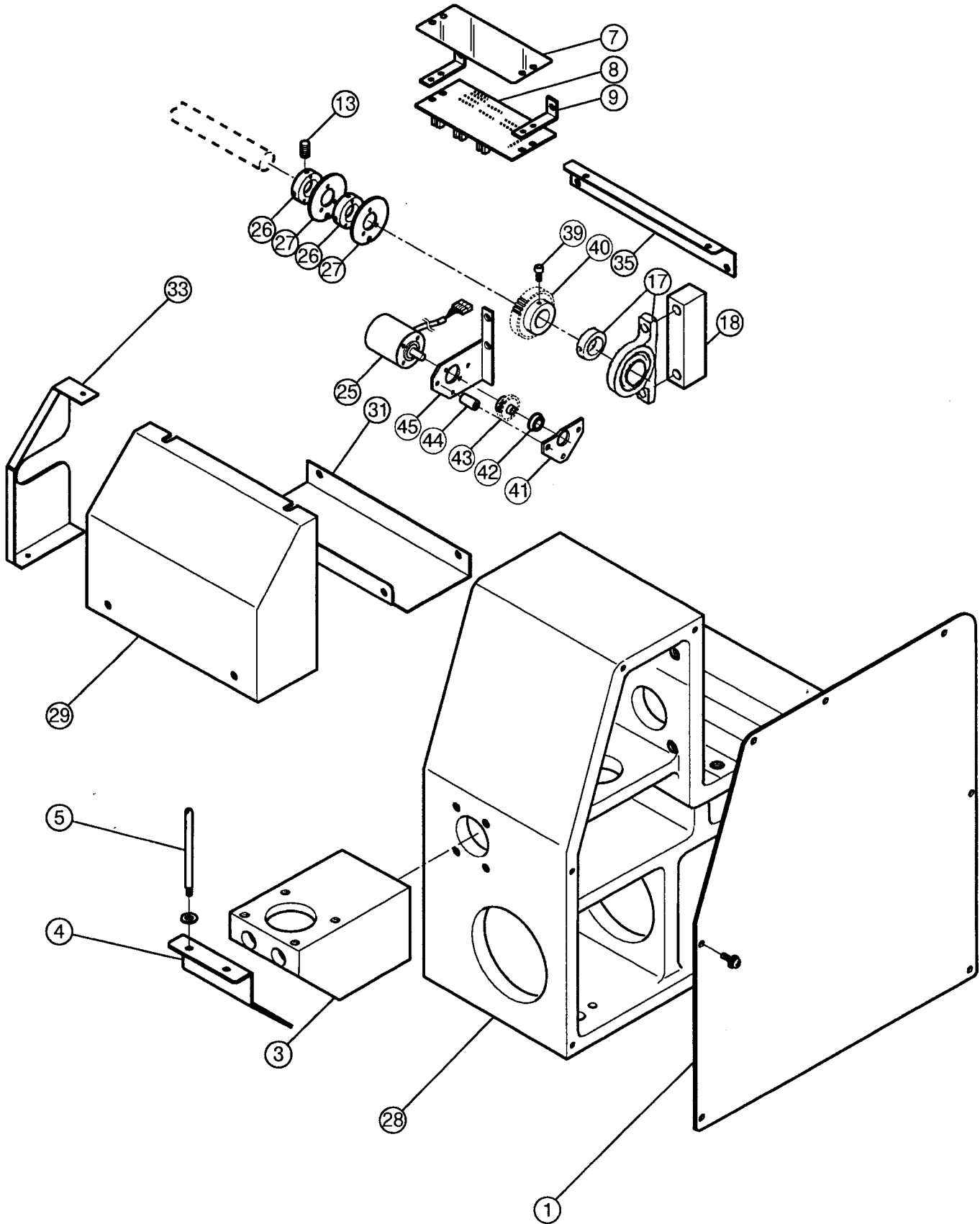
SUPPORT BOX RIGHT (804A)

3.1

組 Ass'y	指図 Elt	部品番号 PARTS No.	PARTS NAMES	S840217 NOTE / 備考
	1	M0402007	Cover right	
	2	SF502072	Support box right	
	3	SF529111	Pole support (B)	
	4	SF529121	Pole support cover (B)	
	5	M0402052	Spool pin	
	6	SF510051	Detecting unit cover, front	
	7	C0402070	Board cover	
	8	M0410104	Timing detecting board ass'y	
	9	C0402051	Bracket for board	
	11	SF510040	Stud	
	13	SSAA04008	Set screw (M4x8)	
	16	SF510031	Detecting unit cover, rear	
	17	MPB00050	Bearing block (P20)	
	18	C0402020	Spacer (P20)	
	25	SF575000	Rotary encoder	
	26	C0402041	Slit disc boss	
	27	M0410124	Detecting slit disc	
	39	SCAA04010	Cap screw (M4x10)	
	40	HMF10210	Encoder drive gear A	
	41	HMF10203	Encoder bracket B	
	42	MPB00620	Bearing (LF1680ZZ)	
	43	HMF10221	Encoder drive gear B	
	44	HMF10230	Encoder collar	
	45	HMF10194	Encoder bracket A	

SUPPORT BOX RIGHT (804)

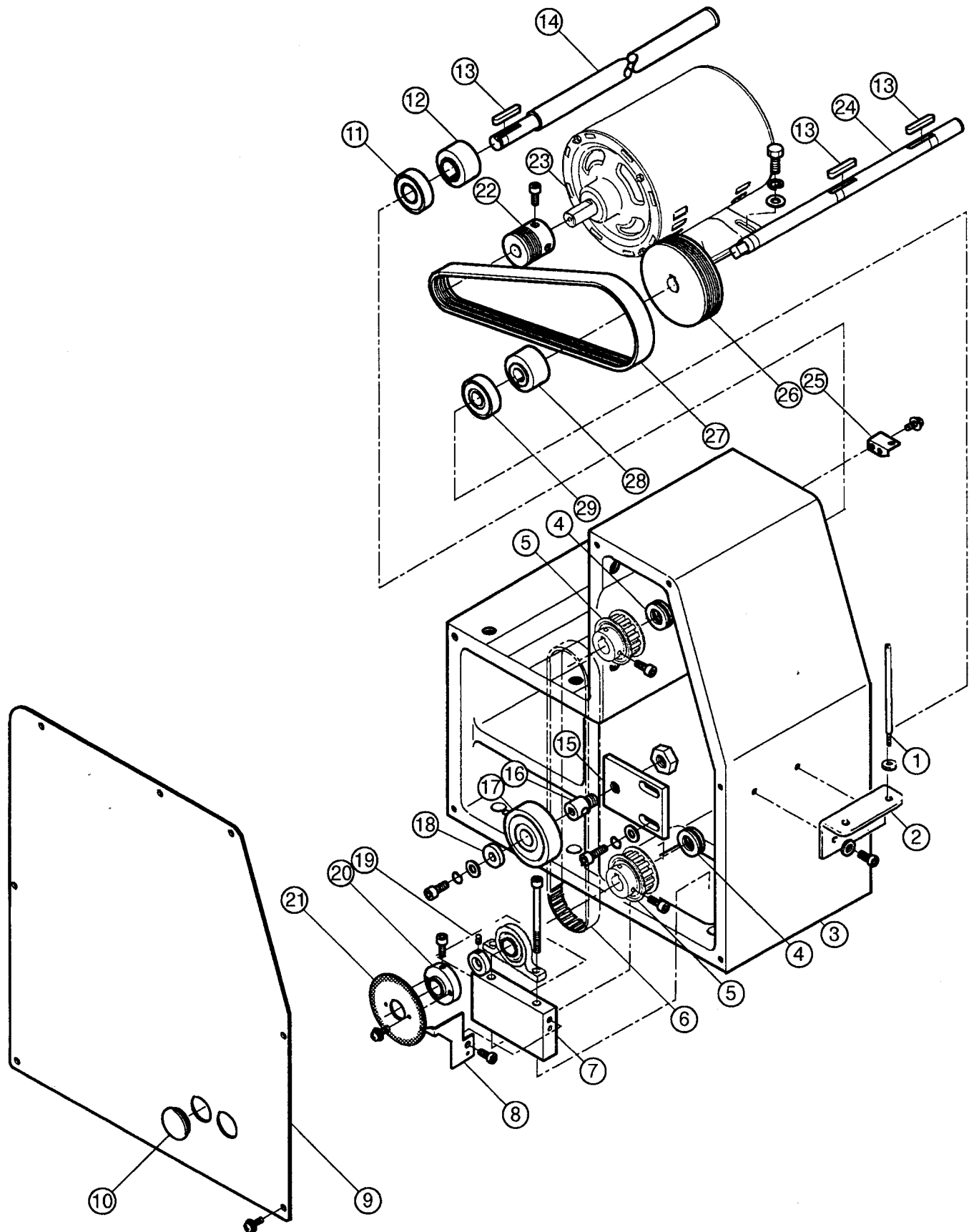
S848831



SUPPORT BOX RIGHT (804)

3.3

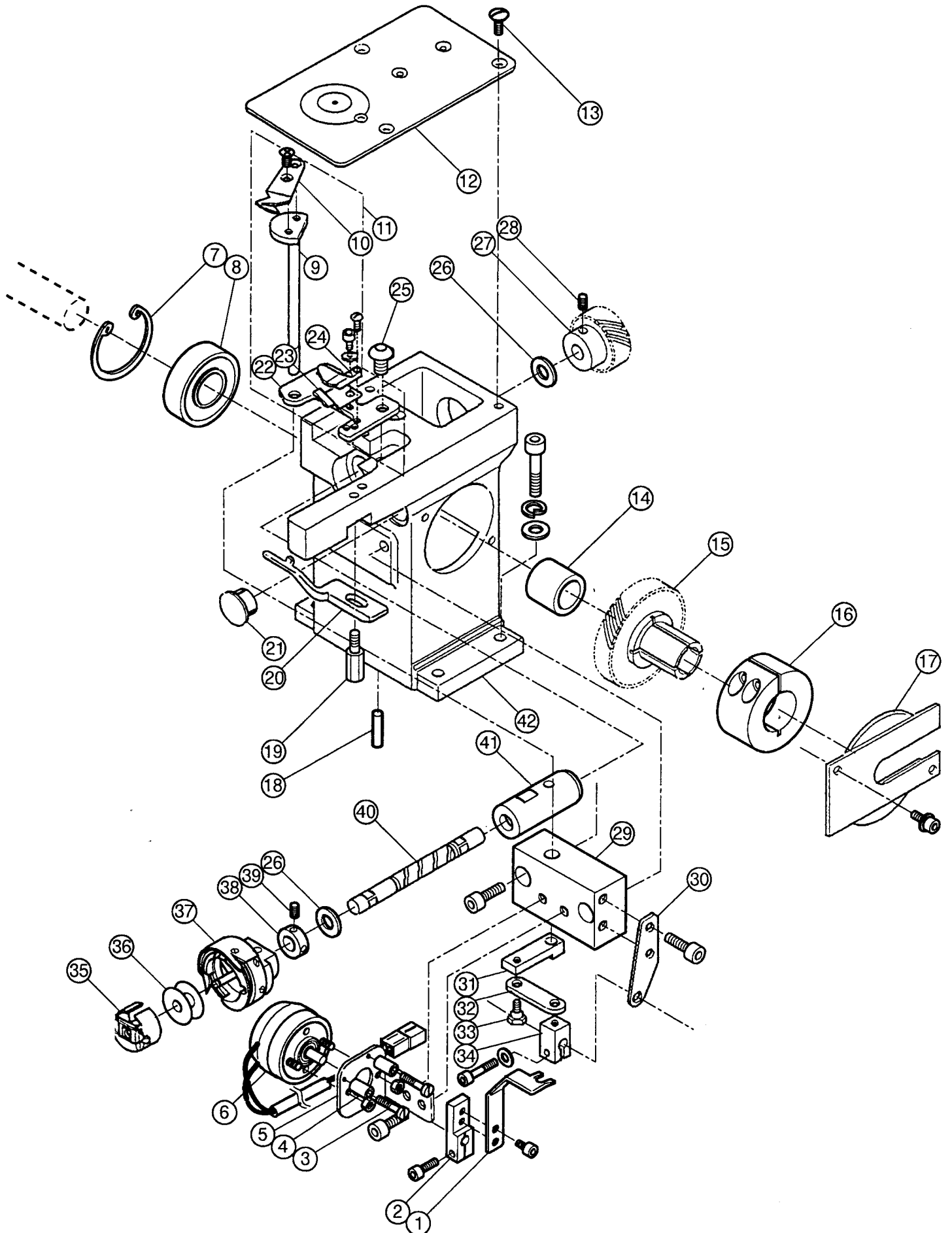
組 Ass'y	指図 El't	部品番号 PARTS No.	PARTS NAMES	S840217 NOTE / 備考
	1	M0402007	Cover right	
	3	SF529111	Pole support (B)	
	4	SF529121	Pole support cover (B)	
	5	M0402052	Spool pin	
	7	C0402070	Board cover	
	8	M0410104	Timing detecting board ass'y	
	9	C0402051	Bracket for board	
	13	SSAA04008	Set screw (M4x8)	
	17	MPB00050	Bearing block (P20)	
	18	C0402020	Spacer (P20)	
	25	SF575000	Rotary encoder	
	26	C0402041	Slit disc boss	
	27	M0410124	Detecting slit disc	
	28	SF502122	Support box right	
	29	SF510172	Detecting unit cover (A)	
	31	SF510182	Detecting unit cover (B)	
	33	SF510192	Detecting unit cover (C)	
	35	SF510202	Detecting unit cover, rear	
	39	SCAA04010	Cap screw (M4x10)	
	40	HMF10210	Encoder drive gear A	
	41	HMF10203	Encoder bracket B	
	42	MPB00620	Bearing (LF1680ZZ)	
	43	HMF10221	Encoder drive gear B	
	44	HMF10230	Encoder collar	
	45	HMF10194	Encoder bracket A	



SUPPORT BOX LEFT

4.1

組	指図	部品番号		S848831
Ass'y	El't	PARTS No.	PARTS NAMES	NOTE / 備考
	1	M0402052	Spool pin	
	2	M0402371	Spool support	
	3	SF502001	Support box left	
	4	MPB00160	Thrust bearing (51102)	
	5	SF402100	Drive pulley	
	6	MPV00420	Timing belt	
	7	SF502040	Spacer	
	8	SF502081	Pointer	
	9	SF502090	Cover left	
	10	M0408150	Rubber cap (small)	
	11	MPB00030	Bearing (6004LLU)	
	12	M0402150	Clamp (upper)	
	13	M0402160	Drive shaft key B	
	14	SF502060	Drive shaft upper (804A)	
	14	SF502130	Drive shaft upper (804)	
	15	SF502010	Tension bracket	
	16	SF502020	Tension shaft	
	17	MPB00550	Bearing (6403ZZ)	
	18	SF402130	Tension washer	
	19	MPB00070	Bearing unit (P15)	
	20	SF502030	Adjusting disc holder	
	21	SF502140	Adjusting disc	
	22	SF402050	Motor pulley	
	23	EPM00100	Drive motor 0.3KW	
	24	SF502050	Drive shaft lower	
	25	C0402090	Cover bracket	
	26	SF402040	Lower shaft pulley	
	27	MPV00410	Main drive belt	
	28	SF402110	Clamp (lower)	
	29	MPB00540	Bearing (6302LLU)	

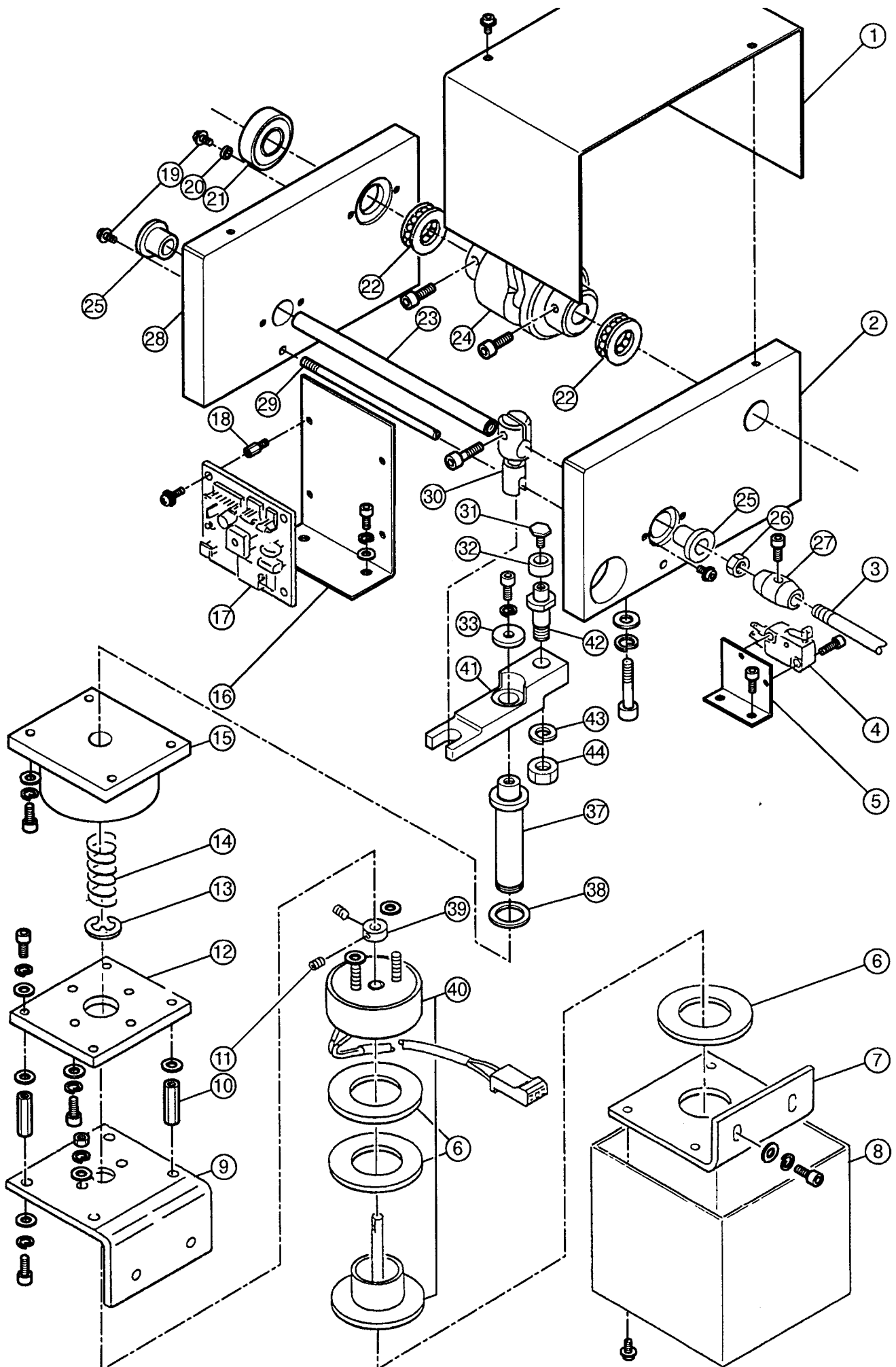


組 Ass'y	指図 Elt	部品番号 PARTS No.	PARTS NAMES	S840623 NOTE / 備考
	1	M0404352	Keeper actuating plate	
	2	M0404362	Fasten block for keeper actuating plate	
	3	M0404151	Stopper pin for keeper	
	4	M0404161	Keeper stopper	
	5	M0404172	Keeper bracket	
	6	M0404180	Keeper solenoid	
	7	MPR00410	C-ring (C-35)	
	8	MPB00150	Bearing (6202LLU)	
11*	9	HMF04130	Drive shaft for knife	
11*	10	M0404412	Knife	
	11	HMF04165	Thread cutting device ass'y	
	12	HMF04270	Needle plate	
	13	MPZ00040	Screw for needle plate	
	14	SF404030	Spiral gear collar	
	15	SF404070	Drive spiral gear	
	16	M0404123	Fasten collar	
	17	SF404040	Side cover for rotary hook base	
	18	-	Knock pin (5x25)	
	19	M0404191	Fixing screw for rotary hook retainer	
	20	MPZ00100	Rotary hook retainer	
	21	MPZ00090	Hole cover	
11*	22	HMF04171	Thread cutting base	
11*	23	HMF04150	Bobbin thread holder	
11*	24	M0404400	Fixed knife	
	25	-	Fixing screw (M6x10)	
	26	MPB00120	Plastic thrust washer (TW0815)	
	27	SF404060	Gear for rotary hook shaft	
	28	SSAA05008	Set screw (M5x8)	
	29	SF404080	Link base	
	30	M0404231	Support for thread cut shaft	
	31	M0404240	Drive arm for knife	
	32	M0404250	Link	
	33	M0404263	Hinge screw for link	
	34	M0404271	Fasten block for thread cut shaft	
	35	MPZ00080	Bobbin case	
	36	MPZ00550	Bobbin	
	37	MPZ00050	Rotary hook	
	38	M0404103	Stopping collar	
	39	SSAA04004	Set screw (M4x4)	
	40	SF404021	Rotary hook shaft	
	41	SF404050	Bushing for rotary hook shaft	
	42	SF404016	Rotary hook base	

THREAD CUT ACTUATION UNIT

S848831

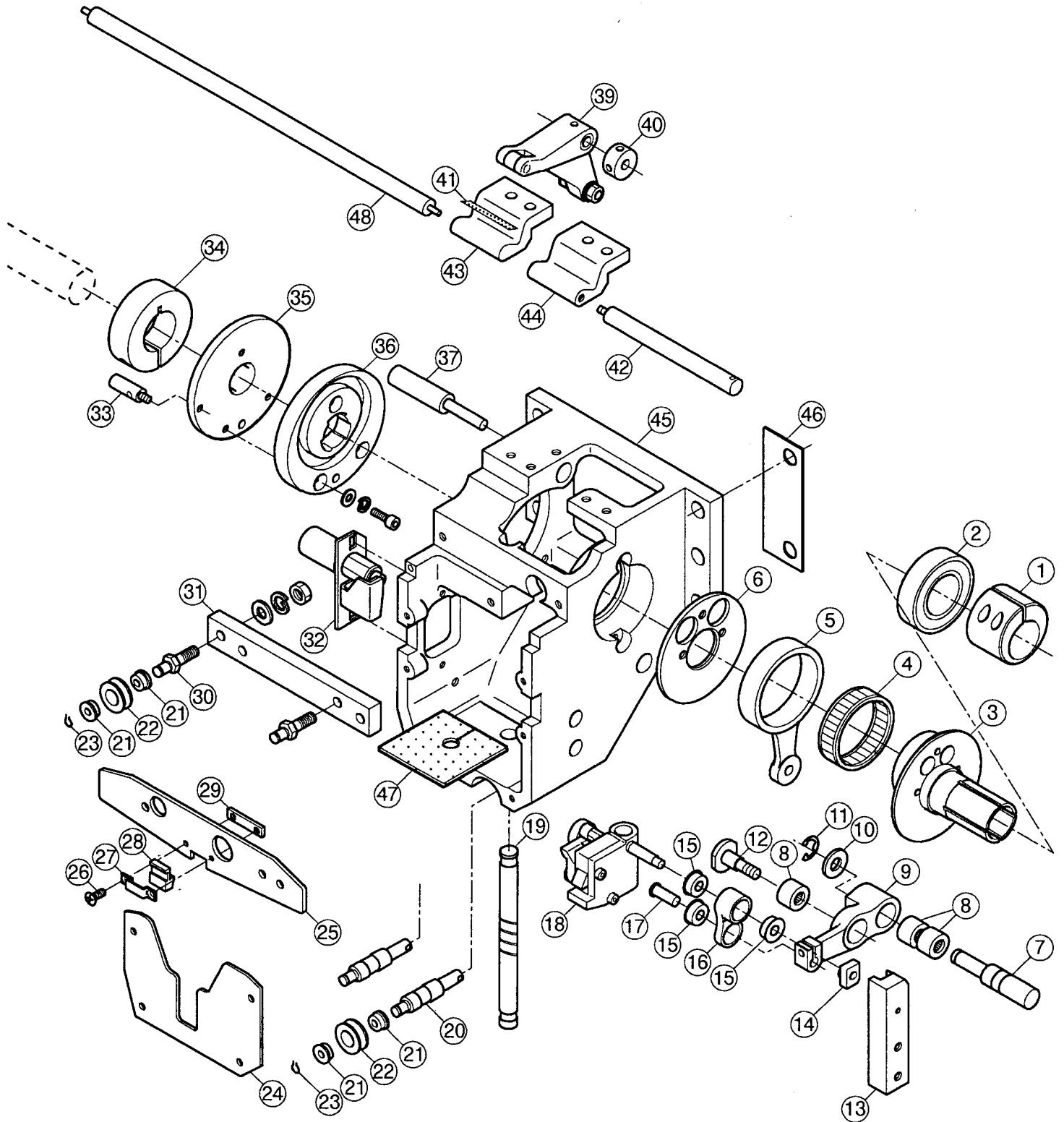
6.0



THREAD CUT ACTUATION UNIT

6.1

組 Ass'y	指図 El't	部品番号 PARTS No.	PARTS NAMES	S848831 NOTE / 備考
	1	SF406060	Cover for thread cutting drive	
	2	SF406020	Cam support right	
	3	SF506000	Thread cutting shaft (804A)	
	3	SF506040	Thread cutting shaft (804)	
	4	EPS00010	Micro switch	
	5	SF406080	Micro switch base	
	6	M0406010	Solenoid felt	
	7	M0406023	Felt base	
	8	M0406442	Solenoid cover	
	9	M0406080	Fixing plate	
	10	M0406070	Solenoid stud	
	11	SS05005A	Hexagon socket set screw (M5x5)	
	12	M0406062	Solenoid base	
	13	MPR00430	E-ring (E-12)	
	14	M0406050	Lever spring	
	15	SF406010	Lever shaft support	
	16	SF406070	Base for thread cutting solenoid board	
	17	M0406282	Thread cutting solenoid board ass'y	
	18	MPZ00370	Stud (M3x10)	
	19	SX04008D	Hexagon socket head cap screw with flange (M4x8)	
	20	M0406200	Spacer	
	21	MPB00150	Bearing (6202LLU)	
	22	MPB00160	Thrust bearing (51102)	
	23	M0406161	Slide shaft	
	24	HMF06250	Drive cam for thread cutting	
	25	MPZ00440	Flange bushing	
	26	M0404280	Nut	
	27	M0406101	LS dog	
	28	SF406030	Cam support left	
	29	M0406171	Guide pin	
	30	M0406142	Lever drive pin	
	31	M0406211	Roller screw	
	32	M0406220	Thread cutting roller	
	33	M0406410	Washer	
	37	M0406252	Lever shaft	
	38	M0406260	Urethane washer	
	39	HMF04190	Collar	
	40	M0406000	Thread cutting solenoid	
	41	HMF06231	Cam lever	
	42	HMF06240	Roller shaft	
	43	WB08000A	Spring washer (M8)	
	44	NA08000J	Hexagon nut (M8)	

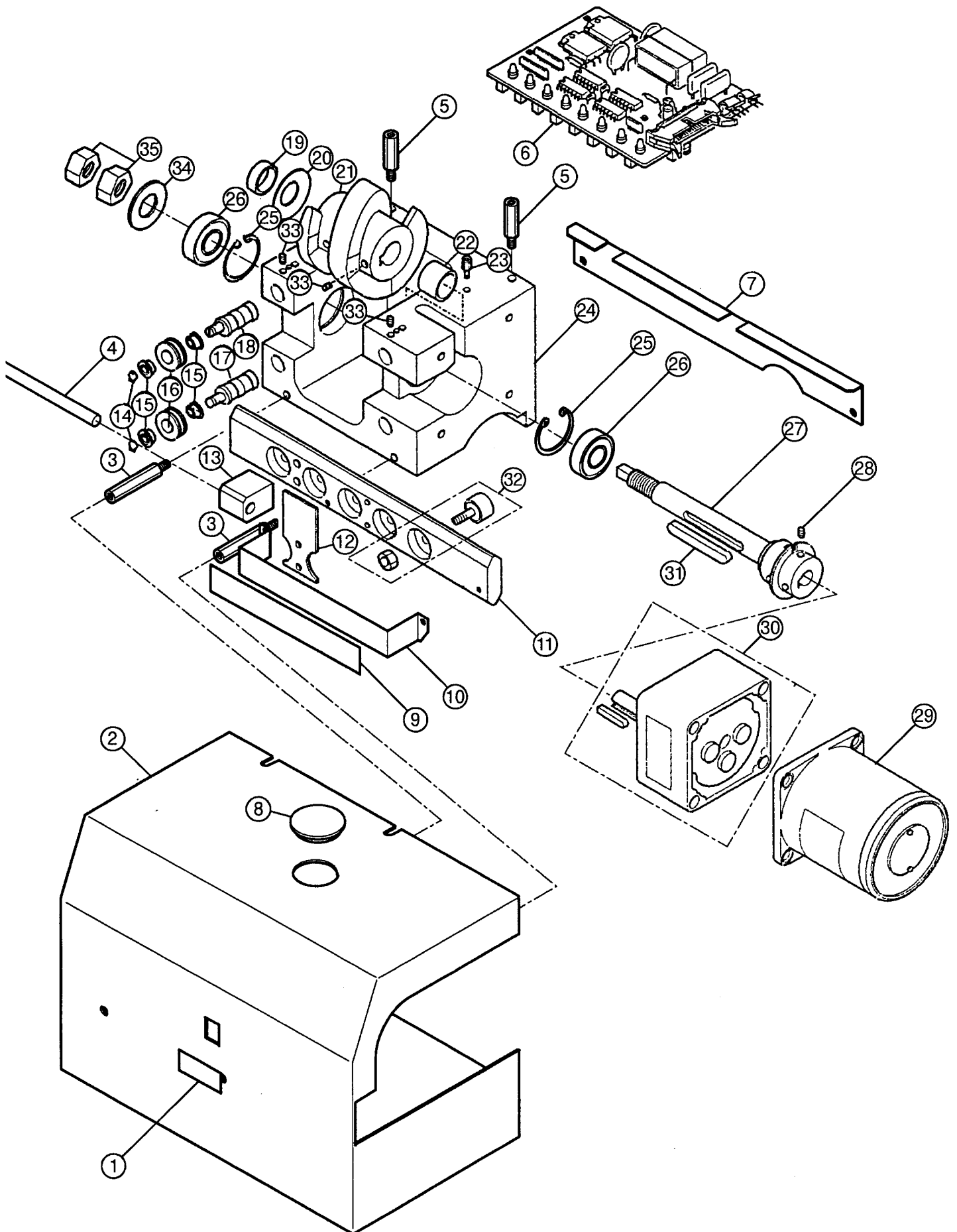


組	指図	部品番号		S849827
Ass'y	El't	PARTS No.	PARTS NAMES	NOTE / 備考
	1	HCG08040	Fasten collar	
	2	MPB00670	Bearing (6005LLB)	
	3	HCG08021	Needle bar cam	
	4	MPB00690	Needle bearing (K40x45x13)	
	5	HCG08050	Connecting rod	
	6	HCG08031	Plate	
	7	HCG08081	Pin (for needle bar driving lever)	
	8	MPB00680	Needle bearing (RNAO-8x15x10T2)	
	9	HCG08062	Needle bar driving lever	
	10	WPAA08000	Plain washer (M8)	
	11	MPR00060	E-ring (E-7)	
	12	HCG08072	Pin (for coupling rod)	
	13	HCG08140	Guide rail	
	14	M0408230	Slide block	
	15	MPB00660	Miniature bearing (LFW686ZZA)	
	16	HCG08092	Link	
	17	HCG08102	Pin (for link)	
	18	HCG08114	Needle bar driver	
	19	HMF08040	Slide shaft	
	20	HMF08172	Lower roller pin	
	21	MPB00240	Bearing (LF1060ZZ)	
	22	M0408484	Bearing case	
	23	MPR00280	DIN-ring (G-6)	
	24	HCG08291	Lower face plate C	
	25	HCG08201	Upper face plate B	
	26	SGAB2E005	Flat head screw (cross recessed head, M2.5x5)	
	27	M0408423	Holding plate	
	28	M0408412	Cushion	
	29	M0408430	Plate nut	
	30	HMF08062	Upper roller pin	
	31	HCG08170	Roller pin guide	
	32	HMF08300	Jump solenoid ass'y	
	33	C0408051	Positioning pin	
	34	C0408040	Fasten collar	
	35	C0408030	Take-up lever cam fixing plate	
	36	HMF08270	Take-up lever cam	
	37	HCG08150	Cam lever shaft	
	39	C0408065	Cam lever ass'y	
	40	HCG08160	Cam lever shaft collar	
	41	HMF08210	Take-up lever base tape	
	42	HMF08340	Take-up lever guide bar (for 8 needle)	
	43	HMF08091	Take-up lever guide base (left)	
	44	HMF08101	Take-up lever guide base (right)	
	45	HCG08016	Fixed head	
	47	M0408870	Fixed head felt	

NEEDLE BAR SELECTION UNIT

S848831

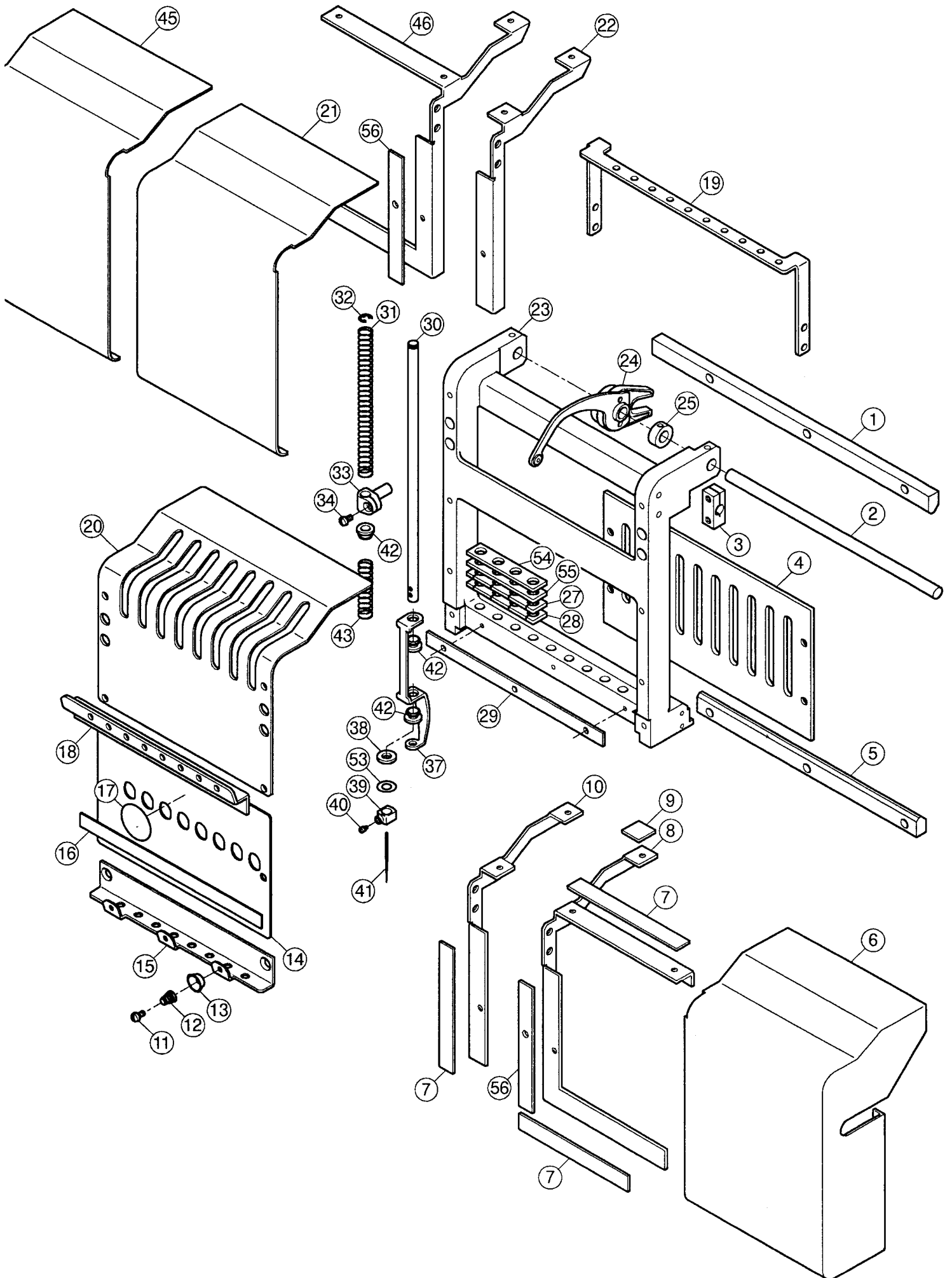
8.0



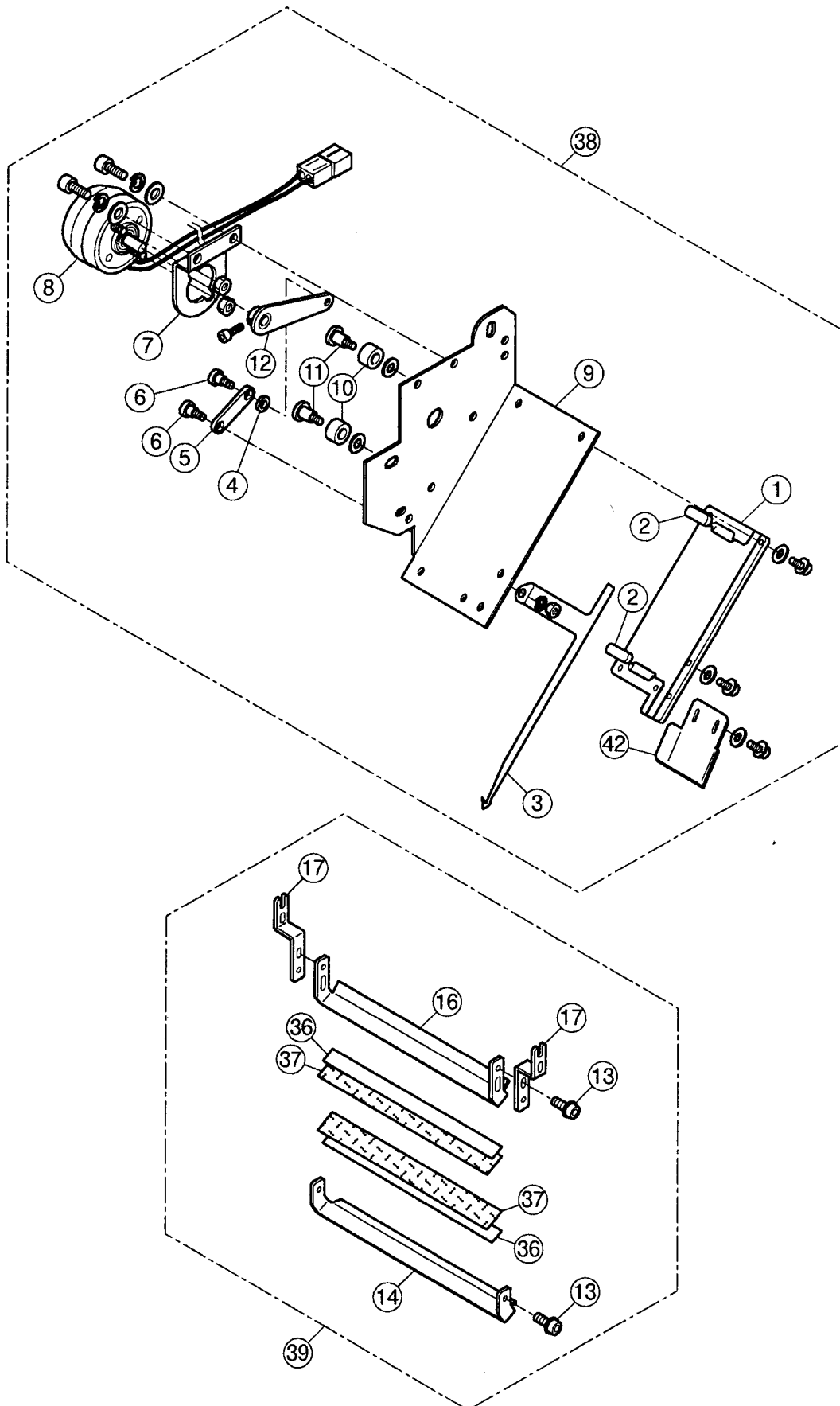
NEEDLE BAR SELECTION UNIT

8.1

組 Ass'y	指図 El't	部品番号 PARTS No.	PARTS NAMES	S848831 NOTE / 備考
	1	M0451060	-	
	1	M0451070	Needle No. sticker	
	2	SF510011	Front cover (804A)	
	2	SF510122	Front cover (804)	
	3	C0410061	Stud	
	4	SF510000	Shaft for needle bar selection	
	5	M0410041	Stud for front cover	
	6	M0410054	Needle bar selection board ass'y	
	7	C0410050	Rear cover (804A)	
	7	SF510131	Rear cover (804)	
	8	M0408150	Rubber cap (small)	
	9	M0451020	Needle No. display sticker	
	10	C0410030	Base for needle No. display	
	11	C0410010	Slide bar	
	12	M0410150	Detecting plate for needle position	
	13	C0410021	Shaft holder	
	14	MPR00010	BG-ring (BG-6)	
	15	MPB00240	Bearing (LF1060ZZ)	
	16	M0408484	Bearing case	
	17	M0410195	Pin	
	18	M0410182	Pin A (off set)	
	19	M0410082	Collar A	
	20	MPS00050	Plate spring	
	21	M0410070	Rotating slotted cam	
	22	M0410061	Collar	
	23	M0410030	Stud	
	24	M0410023	Base for needle bar selection unit	
	25	MPR00070	C-ring (C-32)	
	26	MPB00220	Bearing (6002ZZ)	
	27	M0410016	Drive shaft for needle bar selection unit	
	28	SS04005A	Set screw (M4x5)	
	29	EPM00090	Motor	
	30	EPM00020	Gear head	
	31	MPK00010	Key (both round 5x5x47)	
	32	MPB00230	Cam follower (with nut, KR16XLL)	
	33	SS04008A	Set screw (M4x8)	
	34	WA14000D	Washer (M14)	
	35	NA12000B	Nut (M12)	



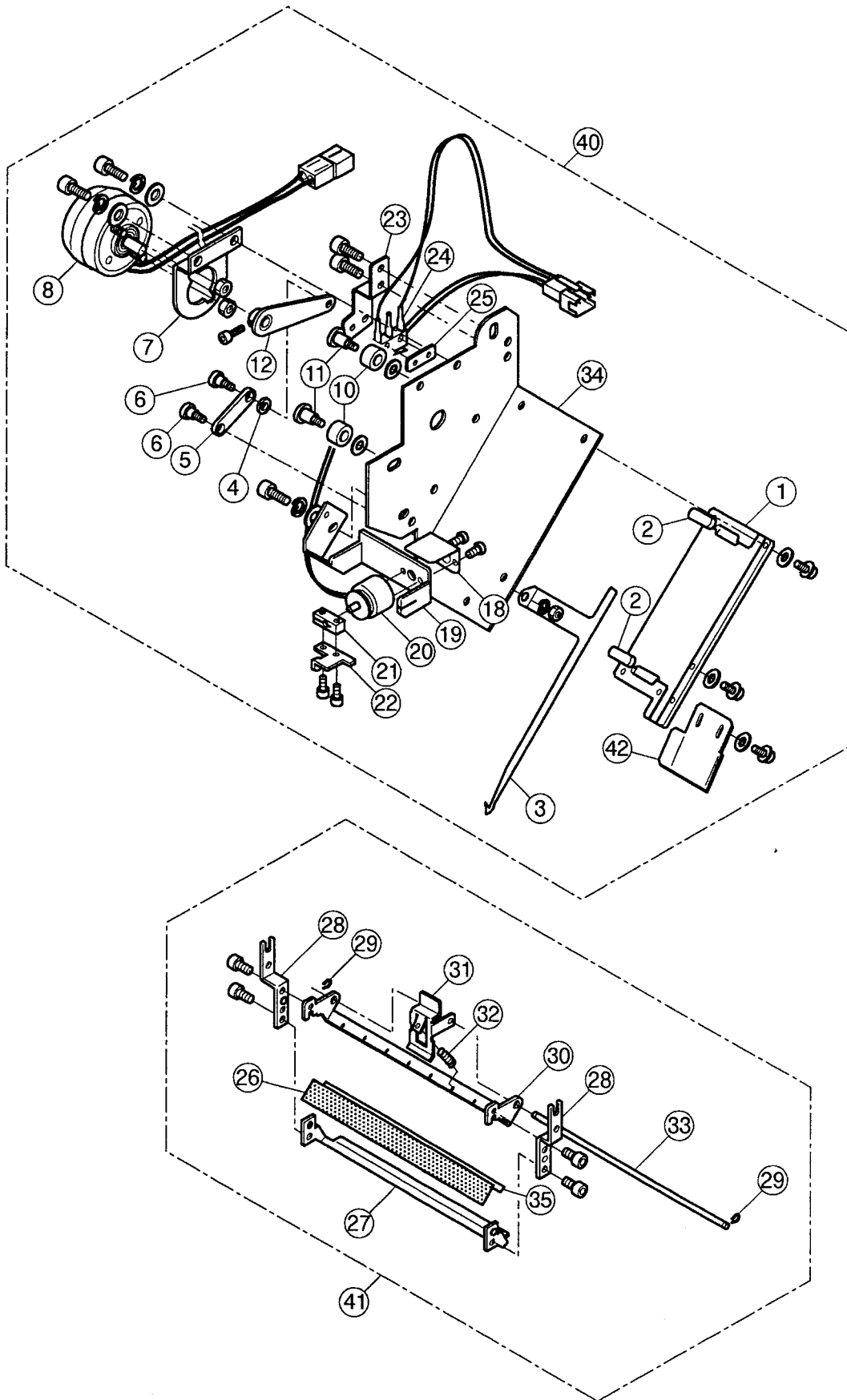
組	指図	部品番号		S849B17
Ass'y	El't	PARTS No.	PARTS NAMES	NOTE / 備考
	1	HMF12171	Rail, upper (for 8 needle)	
	2	M0412070	Take-up lever shaft (for 8 needle)	
	3	HMF12310	Fasten block	
	4	HMF12191	Needle bar boss lift cage (for 8 needle)	
	5	M0412130	Rail 2 (for 8 needle)	
	6	SF513041	Cover, right	
	7	SF530502	Magnet A for cover bracket	
	8	SF513101	Cover bracket D	
	9	SF530511	Magnet B for cover bracket	
	10	SF513071	Cover bracket A	
	11	M0412411	Thread holding screw	
	12	M0412400	Thread holding spring	
	13	M0412390	Thread holding disc	
	14	HMF12250	Front panel, lower (for 8 needle)	
	15	HMF12210	Thread guide plate, lower (for 8 needle)	
	16	M0412382	Thread holding rubber (for 7, 8 needle)	
	17	-	Number sticker	
	18	HMF12670	Thread guide plate B (for 8 needle)	
	19	M0412012	Thread guide plate C (for 8 needle)	
	20	SF512020	Front panel, upper	
	21	SF513011	Cover, center (for 804A type)	
	21	SF513021	Cover, center (for 804 type)	
	22	SF513081	Cover bracket B	
	23	HMG12391	Moving head (for 8 needle)	
	24	HMF12812	Take-up lever ass'y	
	25	HMF12152	Collar	
	27	M0412500	Pressure foot felt (1.0mm)	
	27	M0412510	Pressure foot felt (1.5mm)	
	27	M0412610	Pressure foot felt (2.0mm)	
	28	HMF12290	Adjusting sheet A	
	29	HMF12080	Pressure foot sheet (for 8 needle)	
	30	M0412164	Needle bar	
	31	HMF12090	Needle bar spring, upper	
	32	MPR00080	E-ring (E-5)	
	33	M0412812	Needle bar boss	
	34	M0412200	Screw for needle bar boss	
	37	HMG12750	Pressure foot	
	38	HMG12261	Needle holder cushion	
	39	HMG12200	Needle holder B	
	40	HMG12230	Screw for needle holder	
	41	MPZ00150	Needle (#11)	
	42	HMF12112	Bushing	
	43	HCM12011	Needle bar spring, lower	
	45	SF513031	Cover, left	
	46	SF513091	Cover bracket C	
	53	WPBD06000	Plain washer (M6)	
	54	HMG12592	Urethane sheet	
	55	HMG12582	Pressure foot felt (3.0mm)	
	56	SF513110	Magnet C for cover bracket	



THREAD CATCHER

10.1

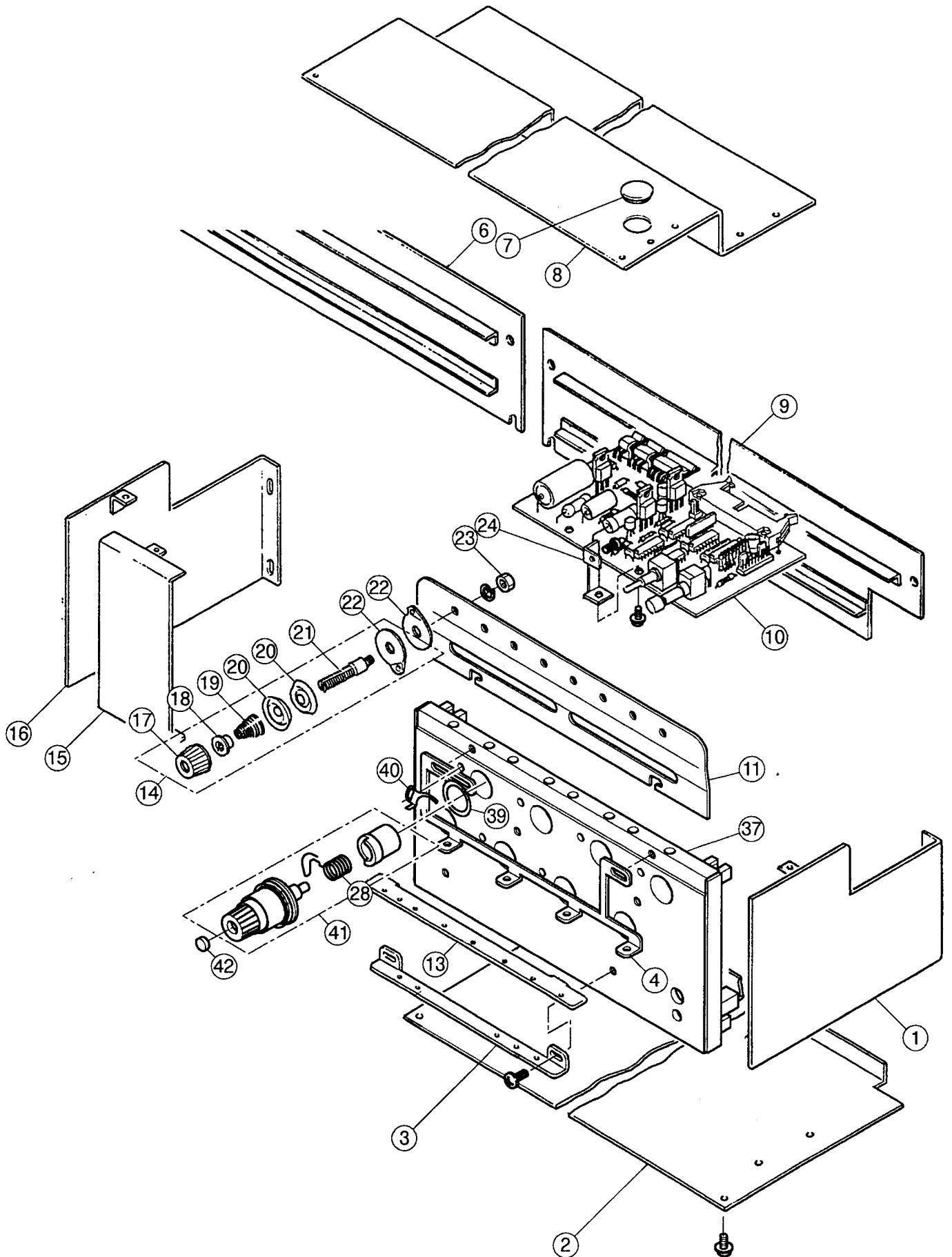
組 Ass'y	指図 Elt	部品番号 PARTS No.	PARTS NAMES	MF8831 NOTE / 備考
	1	HMF14170	Guide plate B	
	2	M0414180	Cushion	
	3	HMF14191	Hook B	
	4	M0414150	Washer for hinge screw	
	5	M0414162	Connecting plate	
	6	M0414142	Hinge screw A	
	7	M0414111	Solenoid fixing plate	
	8	M0414121	Solenoid	
	9	HMF14151	Bracket	
	10	M0412241	Plastic ring	
	11	M0414080	Hinge screw B	
	12	SF514040	Actuating plate	
	13	SCBA03008	Hexagon socket head cap screw with flange (M3x8)	
	14	HMF14110	Holder (lower) (for 7 needle)	
	14	HMF14120	Holder (lower) (for 8 needle)	
	14	HMF14270	Holder (lower) (for 10 needle)	
	14	HMF14320	Holder (lower) (for 12 needle)	
	16	HMF14090	Holder (upper) (for 7 needle)	
	16	HMF14100	Holder (upper) (for 8 needle)	
	16	HMF14260	Holder (upper) (for 10 needle)	
	16	HMF14310	Holder (upper) (for 12 needle)	
	17	M0414000	Holder guide	
	36	HMF14450	Adhesive tape (for 7 needle)	
	36	HMF14460	Adhesive tape (for 8 needle)	
	36	HMF14290	Adhesive tape (for 10 needle)	
	36	HMF14340	Adhesive tape (for 12 needle)	
	37	HMF14420	Magic tape (for 7 needle)	
	37	HMF14430	Magic tape (for 8 needle)	
	37	HMF14280	Magic tape (for 10 needle)	
	37	HMF14330	Magic tape (for 12 needle)	
	38	SF5914031	Thread catcher ass'y	
	39	HMF914380	Thread holder ass'y (for 7 needle)	
	39	HMF914390	Thread holder ass'y (for 8 needle)	
	39	HMF914400	Thread holder ass'y (for 10 needle)	
	39	HMF914410	Thread holder ass'y (for 12 needle)	
	42	HMF14481	Hook guard	



CLIP TYPE THREAD CATCHER

10.3

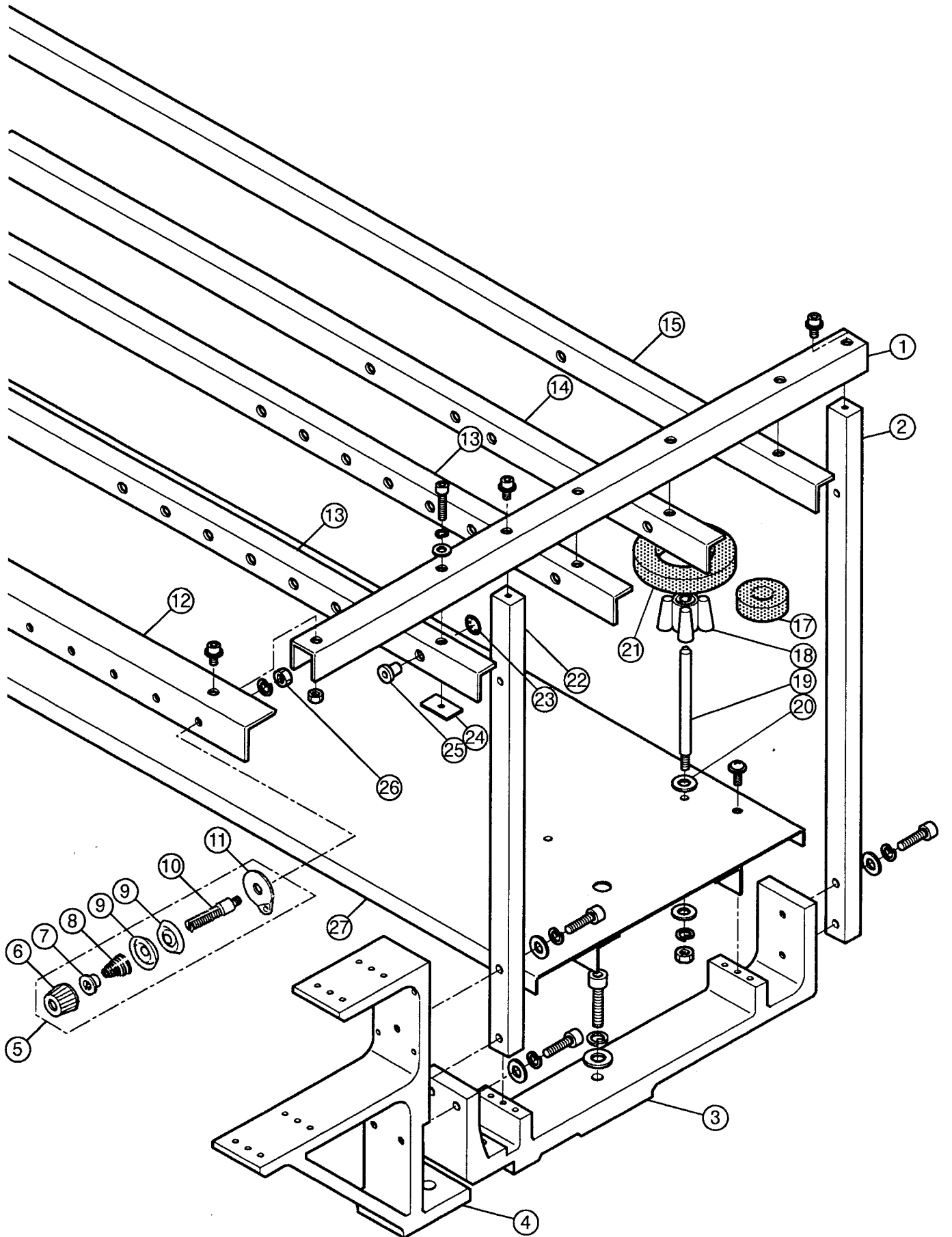
組 Ass'y	指図 Elt	部品番号 PARTS No.	PARTS NAMES	MF8831 NOTE / 備考
	1	HMF14170	Guide plate B	
	2	M0414180	Cushion	
	3	HMF14191	Hook B	
	4	M0414150	Washer for hinge screw	
	5	M0414162	Connecting plate	
	6	M0414142	Hinge screw A	
	7	M0414111	Solenoid fixing plate	
	8	M0414121	Solenoid	
	10	M0412241	Plastic ring	
	11	M0414080	Hinge screw B	
	12	SF514040	Actuating plate	
	18	HMF14141	Holder solenoid cover	
	19	SF514010	Holder solenoid fixing plate	
	20	M0414511	Holder solenoid	
	21	M0414440	Fasten block for holder solenoid	
	22	SF514020	Stopping plate	
	23	SF514051	Limit switch base	
	24	M0471493	Limit switch	
	25	M0414390	Limit switch fixing nut	
	26	SF514111	Rubber sheet, lower	
	26	HMF14240	Rubber sheet, lower (for 10 needle)	
	26	HMF14390	Rubber sheet, lower (for 12 needle)	
	27	HMF14060	Holder (lower) ass'y (for 7 needle)	
	27	HMF14050	Holder (lower) ass'y (for 8 needle)	
	27	HMF14210	Holder (lower) ass'y (for 10 needle)	
	27	HMF14360	Holder (lower) ass'y (for 12 needle)	
	28	M0414351	Holder guide	
	29	MPR00340	Grip ring (GS-3)	
	30	HMF14030	Holder (upper) base (for 7 needle)	
	30	HMF14010	Holder (upper) base (for 8 needle)	
	30	HMF14200	Holder (upper) base (for 10 needle)	
	30	HMF14350	Holder (upper) base (for 12 needle)	
	31	SF514091	Holder, upper	
	32	M0414490	Holder spring	
	33	M0414410	Holder shaft (for 7 needle)	
	33	M0414380	Holder shaft (for 8 needle)	
	33	HMF14300	Holder shaft (for 10 needle)	
	33	HMF14410	Holder shaft (for 12 needle)	
	34	HMF14160	Bracket	
	35	HMF14130	Adhesive tape	
	35	HMF14250	Adhesive tape (for 10 needle)	
	35	HMF14400	Adhesive tape (for 12 needle)	
	40	HMF914421	Thread catcher ass'y	
	41	HMF914430	Thread holder ass'y (for 7 needle)	
	41	HMF914440	Thread holder ass'y (for 8 needle)	
	41	HMF914450	Thread holder ass'y (for 10 needle)	
	41	HMF914460	Thread holder ass'y (for 12 needle)	
	42	HMF14481	Hook guard	



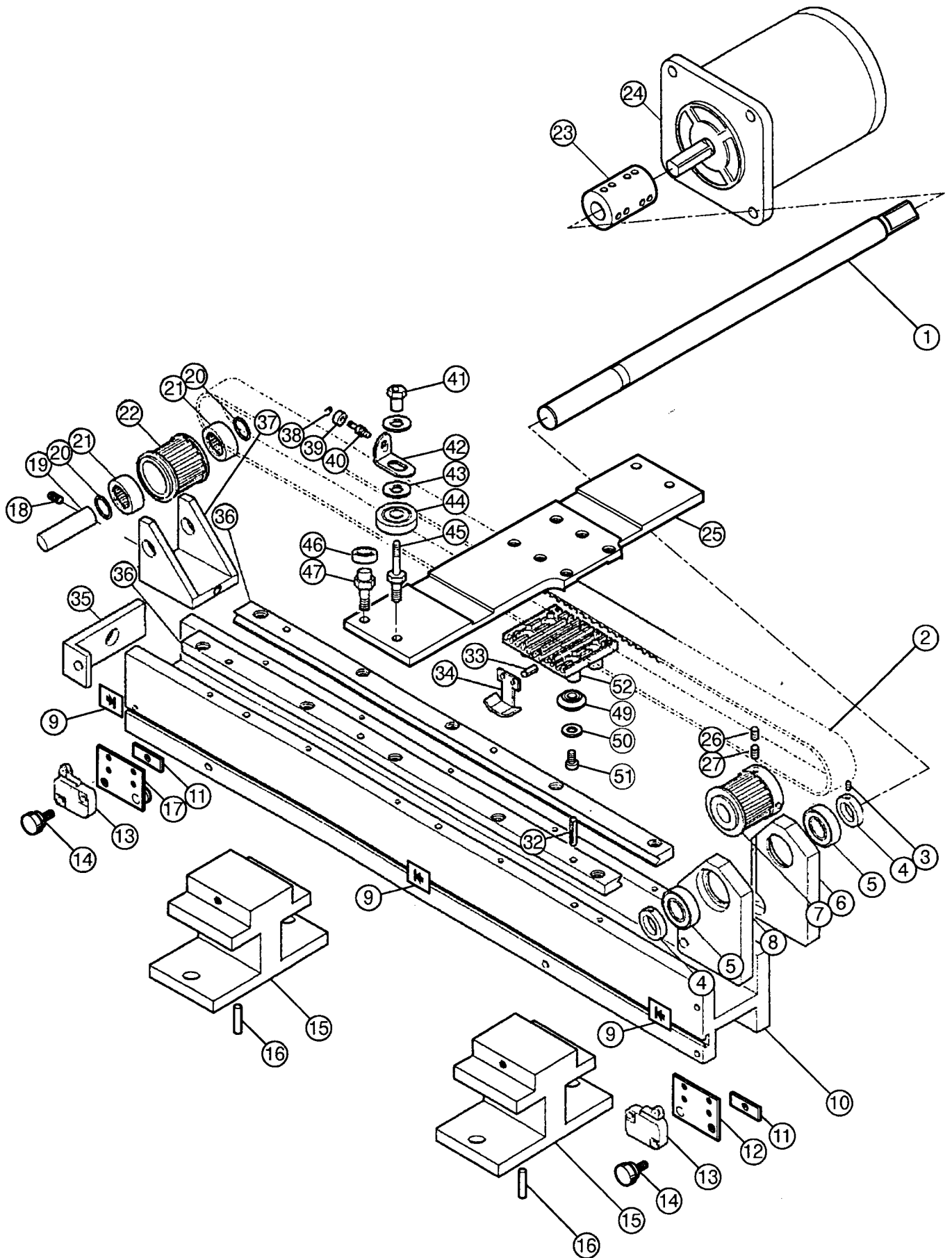
THREAD TENSION UNIT

11.1

組	指図	部品番号		S849B17
Ass'y	El't	PARTS No.	PARTS NAMES	NOTE / 備考
	1	M0416064	Thread tension side cover (Right)	
	2	SF520020	Fixing plate B (804A)	
	2	SF520180	Fixing plate B (804)	
	3	M0416251	Lower thread guide B (for 8 needle)	
	4	M0416261	Upper thread guide	
	6	SF520090	Thread tension rear cover A (804A)	
	6	SF520200	Thread tension rear cover B (804)	
	7	MPZ00190	Plug (OB-31)	
	8	SF520000	Fixing plate A (804A)	
	8	SF520170	Fixing plate A (804)	
	9	SF520080	Thread tension rear cover B (804A)	
	9	SF520191	Thread tension rear cover A (804)	
	10	M0483228	Thread detecting board ass'y	
	11	M0416076	Thread guide base (for 8 needle)	
	13	M0416230	Lower thread guide A (for 8 needle)	
	14	M0416124	Thread guide unit	
	15	SF520010	Thread tension cover (804A)	
	15	SF520210	Thread tension cover (804)	
	16	M0416104	Thread tension side cover (Left)	
14*	17	MPZ00960	Tension nut	
14*	18	MPZ00280	Spring guide	
14*	19	M0416111	Spring	
14*	20	MPZ00221	Disc	
14*	21	M0418211	Tension shaft	
14*	22	MPZ00200	Tension guide plate	
	23	NHAA04000	Nut (M4)	
	24	M0416031	Thread detecting board bracket	
41*	28	M0416186	Thread check spring	
	37	M0416141	Thread tension bracket (for 8 needle)	
	39	HMF17820	Isolation plate	
	40	HMF17870	Adjusting plate	
	41	HMF17840	Thread tension ass'y	
	42	HMF17860	Thread tension lid	



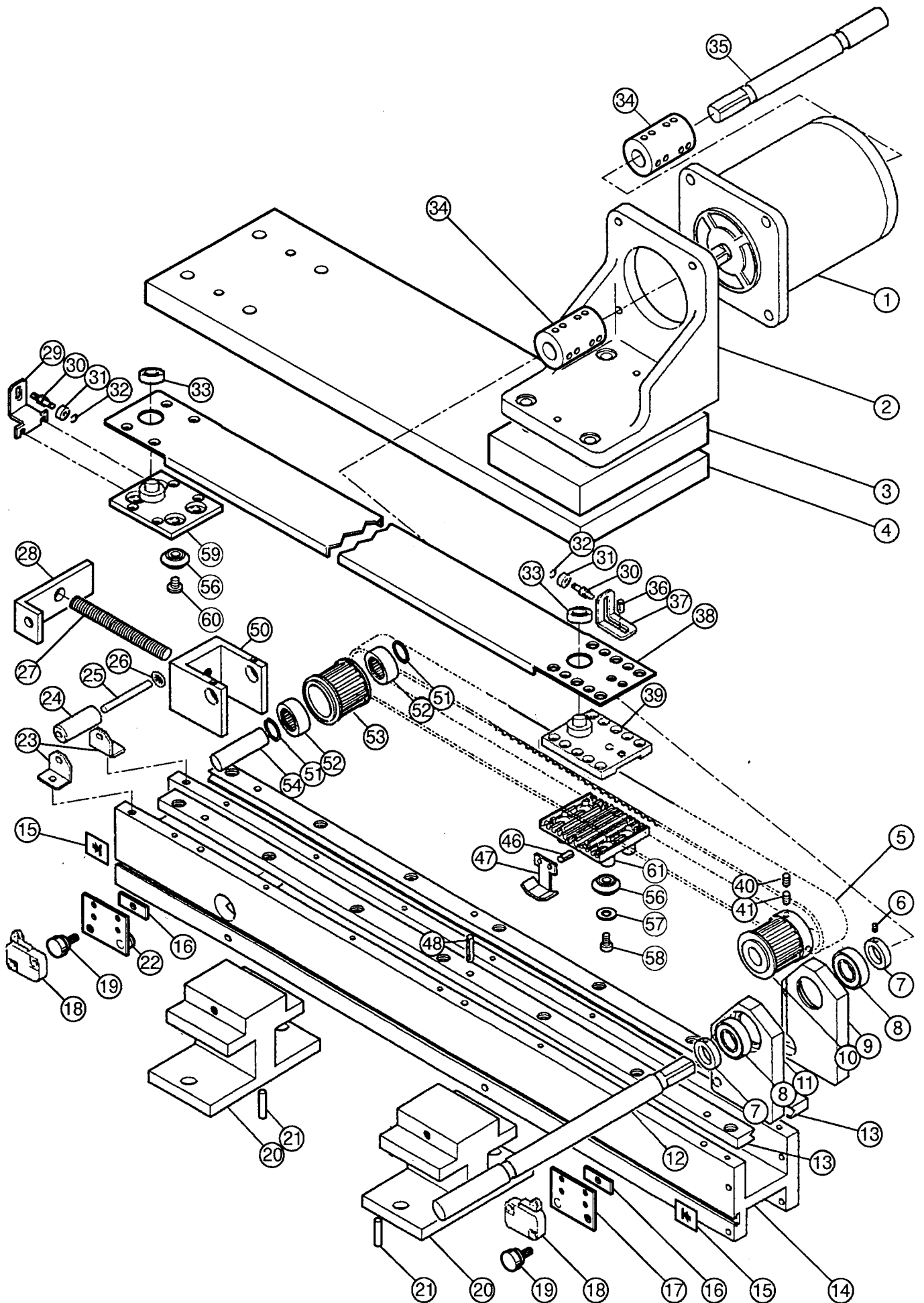
組 Ass'y	指図 Elt	部品番号 PARTS No.	PARTS NAMES	S848831 NOTE / 備考
	1	M0420760	Thread guide connecting plate	
	2	M0421380	Thread guide support pillar C	
	3	M0421410	Base B for thread stand	
	4	M0421401	Base A for thread stand	
	5	M0416124	Thread guide unit	
5*	6	MPZ00960	Tension nut	
5*	7	MPZ00280	Spring guide	
5*	8	M0416111	Spring	
5*	9	MPZ00221	Disc	
5*	10	M0418211	Tension shaft	
5*	11	MPZ00200	Tension guide plate	
	12	SF520031	Thread guide unit fixing plate (804A)	
	12	SF520221	Thread guide unit fixing plate (804)	
	13	SF520041	Thread guide A (804A)	
	13	SF520230	Thread guide A (804)	
	14	SF520050	Thread guide B (804A)	
	14	SF520240	Thread guide B (804)	
	15	SF520060	Thread guide C (804A)	
	15	SF520250	Thread guide C (804)	
	17	M0420051	Felt ring (Small)	
	18	MPZ00340	Plastic spring	
	19	M0420032	Spool pin	
	20	M0420890	Washer	
	21	M0420040	Felt ring (Large)	
	22	M0420062	Thread guide support pillar	
	23	MPR00110	SE-ring (SE-7)	
	24	M0420901	Fixing nut	
	25	M0445080	Eyelet	
	26	NA04000A	Nut (M4)	
	27	SF520070	Thread stand plate (804A)	
	27	SF520260	Thread stand plate (804)	



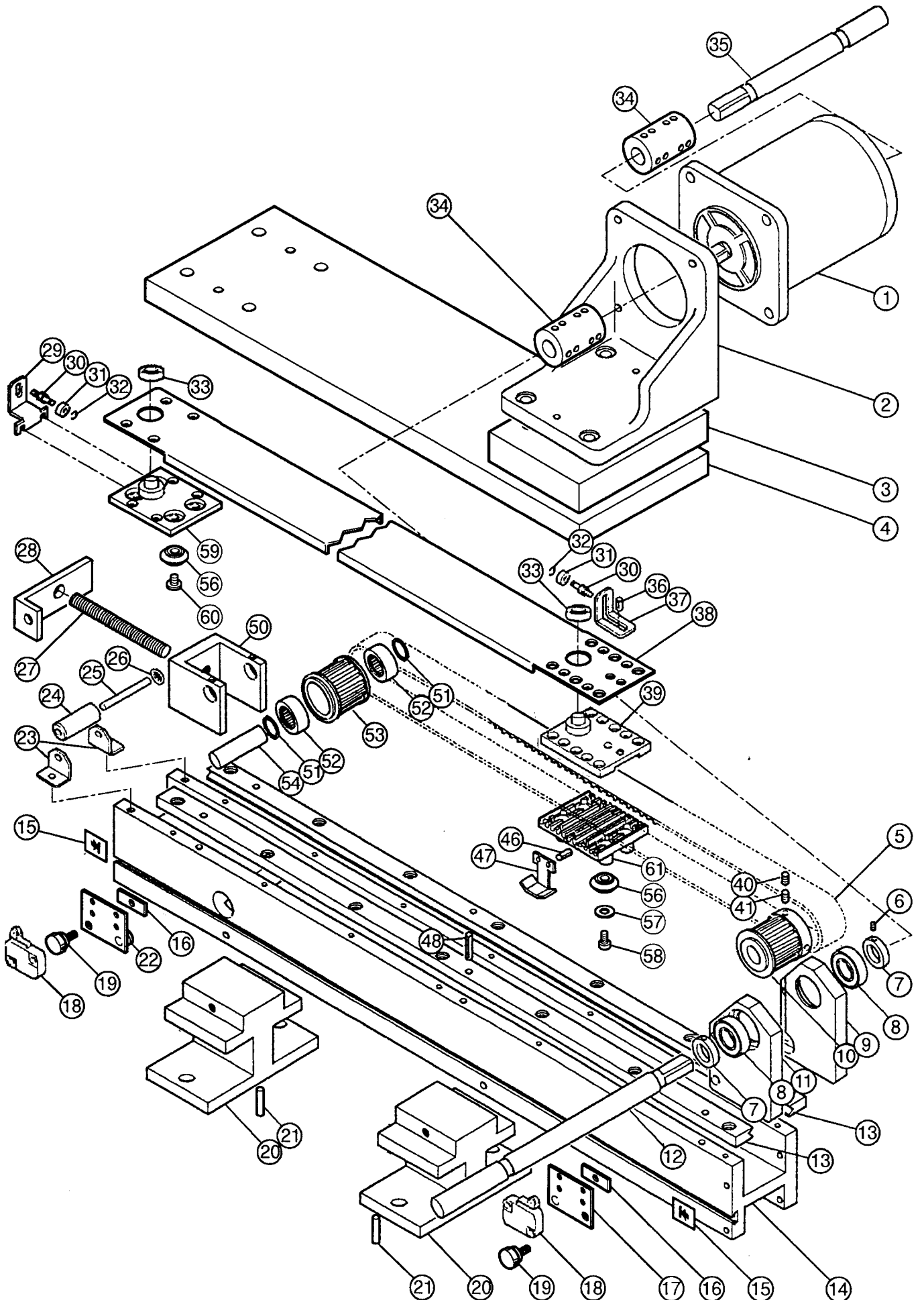
X CARRIAGE

13.1

組	指図	部品番号		S849831
Ass'y	El't	PARTS No.	PARTS NAMES	NOTE / 備考
	1	SF524120	X carriage drive shaft	
	2	MPV00050	X timing belt (804A)	
	2	MPV00390	X timing belt (804)	
	3	SS04005A	Set screw (M4x5)	
	4	M0424110	Drive shaft collar	
	5	MPB00270	Bearing (6903ZZ)	
	6	M0424121	Drive shaft support (right)	
	7	M0424141	Drive pulley	
	8	M0424131	Drive shaft support (left)	
	9	M0451080	Embroidery range sticker for carriage	
	10	SF524280	X rail base (804A)	
	10	SF524270	X rail base (804)	
	11	M0424210	Fixing nut	
	12	M0424221	Limit switch plate	
	13	EPS00010	Micro switch	
	14	MPZ00990	Thumb knob	
	15	SF524000	Supporting base	
	16	MPP00120	Knock pin (5x25)	
	17	M0424231	Limit switch plate 2	
	18	SS03006A	Set screw (M3x6)	
	19	M0424180	Idler shaft	
	20	M0424160	Spacer	
	21	MPB00280	Needle bearing (HK1210)	
	22	M0424172	Idler pulley	
	23	SF424150	Coupling	
	24	EPM00180	Pulse motor	
	25	SF524092	Cam follower base	
	26	SG06006A	Set screw (flat tipped M6x6)	
	27	SS06006A	Set screw (M6x6)	
	32	MPP00090	Spring pin (4x20)	
	33	MPZ01610	Roll bushing spacer	
	34	M0424050	Limit switch dog	
	35	M0424202	Tension bracket	
	36	HMF24850	X rail with V groove (804A)	
	36	HMF24810	X rail with V groove (804)	
	37	M0424190	X idler pulley support	
	38	MPR00230	E-ring	
	39	M0425160	Small roller	
	40	M0425151	X small roller shaft	
	41	M0426082	Roller support B (eccentric)	
	42	M0426090	Roller support B	
	43	M0426070	Washer	
	44	MPB00490	Bearing (CBS-WB-6200)	
	45	M0425120	Roller shaft	
	46	MPB00250	Bearing (L-1680ZZ)	
	47	M0424003	X cam follower shaft	
	49	HMF24570	Roller bearing	
	50	WA04000A	Washer (M4)	
	51	SC04006A	Cap screw (M4x6)	
	52	HMF24891	Holding plate E	



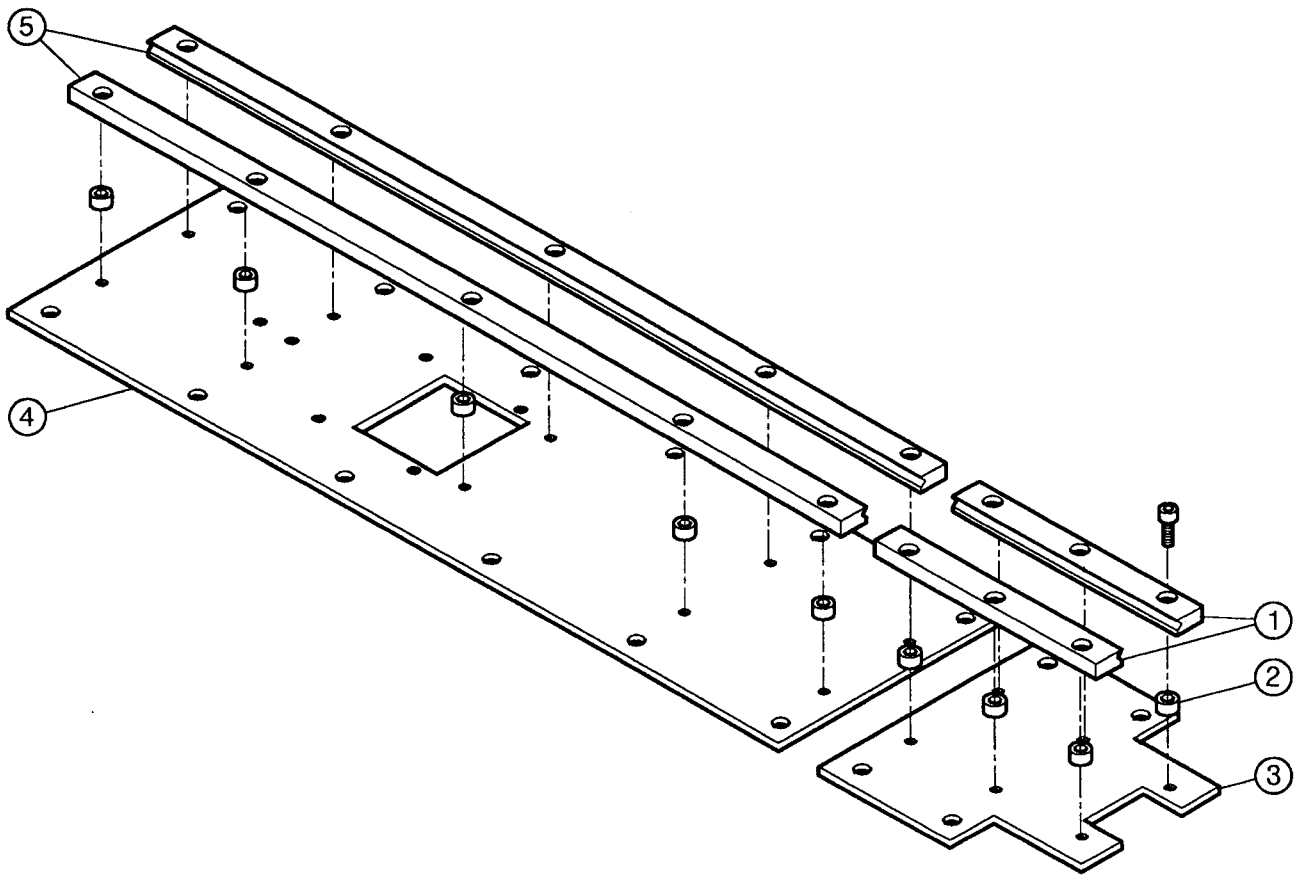
組 Ass'y	指図 El't	部品番号 PARTS No.	PARTS NAMES	S848831 NOTE / 備考
	1	EPM00180	Pulse motor	
	2	SF424140	Pulse motor bracket	
	3	SF424130	Adjusting plate	
	4	SF424120	bracket base	
	5	MPV00060	Y timing belt	
	6	SS04005A	Set screw (M4x5)	
	7	M0424110	Drive shaft collar	
	8	MPB00270	Bearing (6903ZZ)	
	9	M0424121	Drive shaft support (right)	
	10	M0424141	Drive pulley	
	11	M0424131	Drive shaft support (left)	
	12	SF524130	Y carriage drive shaft (right, 804A)	
	12	SF524240	Y carriage drive shaft (right, 804)	
	13	HMF24850	Rail with V groove, rear (Y580)	
	14	SF524290	Y rail base	
	15	M0451080	Embroidery range sticker for carriage	
	16	M0424210	Fixing nut	
	17	M0424221	Limit switch plate	
	18	EPS00010	Micro switch	
	19	MPZ00990	Thumb knob	
	20	SF524000	Supporting base	
	21	MPP00120	Knock pin (5x25)	
	22	M0424231	Limit switch plate 2	
	23	M0424401	Center roller support	
	24	M0424390	Center roller	
	25	M0424382	Center roller shaft	
	26	MPR00100	SE-ring (SE-5)	
	27	M0425240	Idler adjustment screw	
	28	M0424202	Tension bracket	
	29	M0424310	Small roller support, front	
	30	M0424020	Small roller shaft	
	31	M0424010	Small roller	
	32	MPR00300	E-ring (E-2)	
	33	MPB00250	Bearing (L-1680ZZ)	
	34	SF424150	Coupling	
	35	SF524141	Y carriage drive shaft (left, 804A)	
	35	SF524251	Y carriage drive shaft (left, 804)	
	36	MPP00110	Spring pin (4x8)	
	37	M0424030	Small roller support	
	38	SF524110	Slide base	
	39	M0424331	Fixing plate ass'y for belt	
	40	SG06006A	Set screw (flat tipped M6x6)	
	41	SS06006A	Set screw (M6x6)	
	46	MPZ01610	Roll bushing spacer	
	47	M0424050	Limit switch dog	
	48	MPP00090	Spring pin (4x20)	
	50	M0424370	Idler pulley support	
	51	M0424160	Spacer	
	52	MPB00280	Needle bearing (HK1210)	
	53	M0424172	Idler pulley	
	54	M0424180	Idler shaft	



Y CARRIAGE 1

14.3

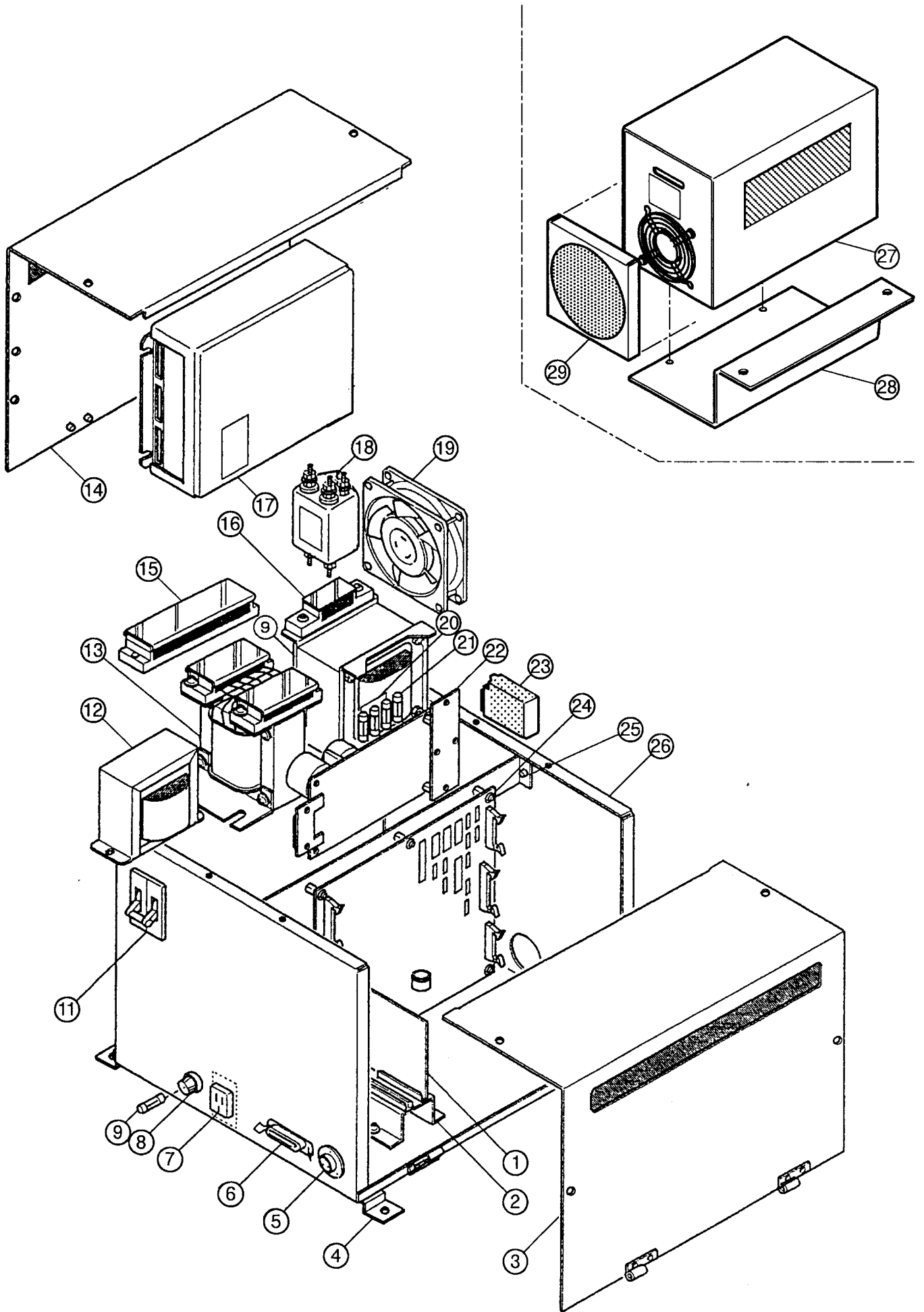
組	指図	部品番号		S849831
Ass'y	El't	PARTS No.	PARTS NAMES	NOTE / 備考
	56	HMF24570	Roller bearing	
	57	WA04000A	Washer (M4)	
	58	SC04006A	Cap screw (M4x6)	
	59	SF524170	Y idler	
	60	SF524160	Idler screw	
	61	HMF24921	Holding plate G	



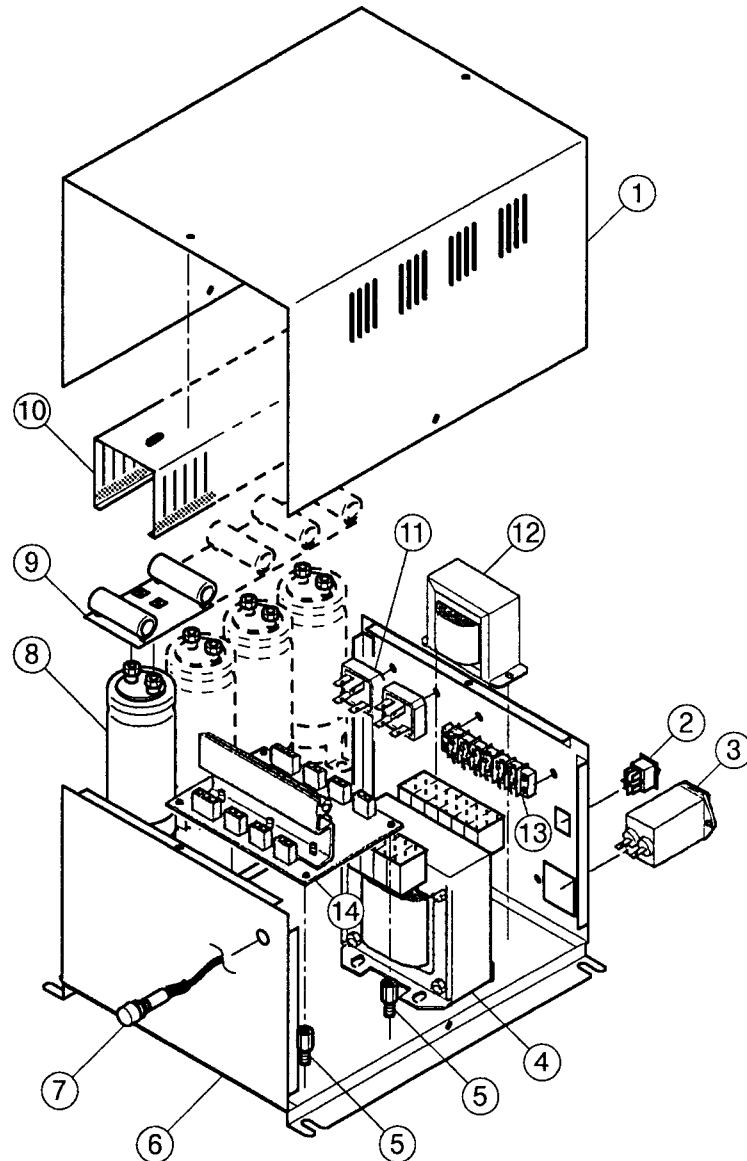
Y CARRIAGE 2

14.5

組	指図	部品番号		S848831
Ass'y	El't	PARTS No.	PARTS NAMES	NOTE / 備考
	1	SF524040	Y Rail (1) with V groove	
	2	SF524080	Rail spacer	
	3	SF524060	Rail bracket (1)	
	4	SF524300	Rail bracket (2)	
	5	SF524260	Y Rail (3) with V groove	



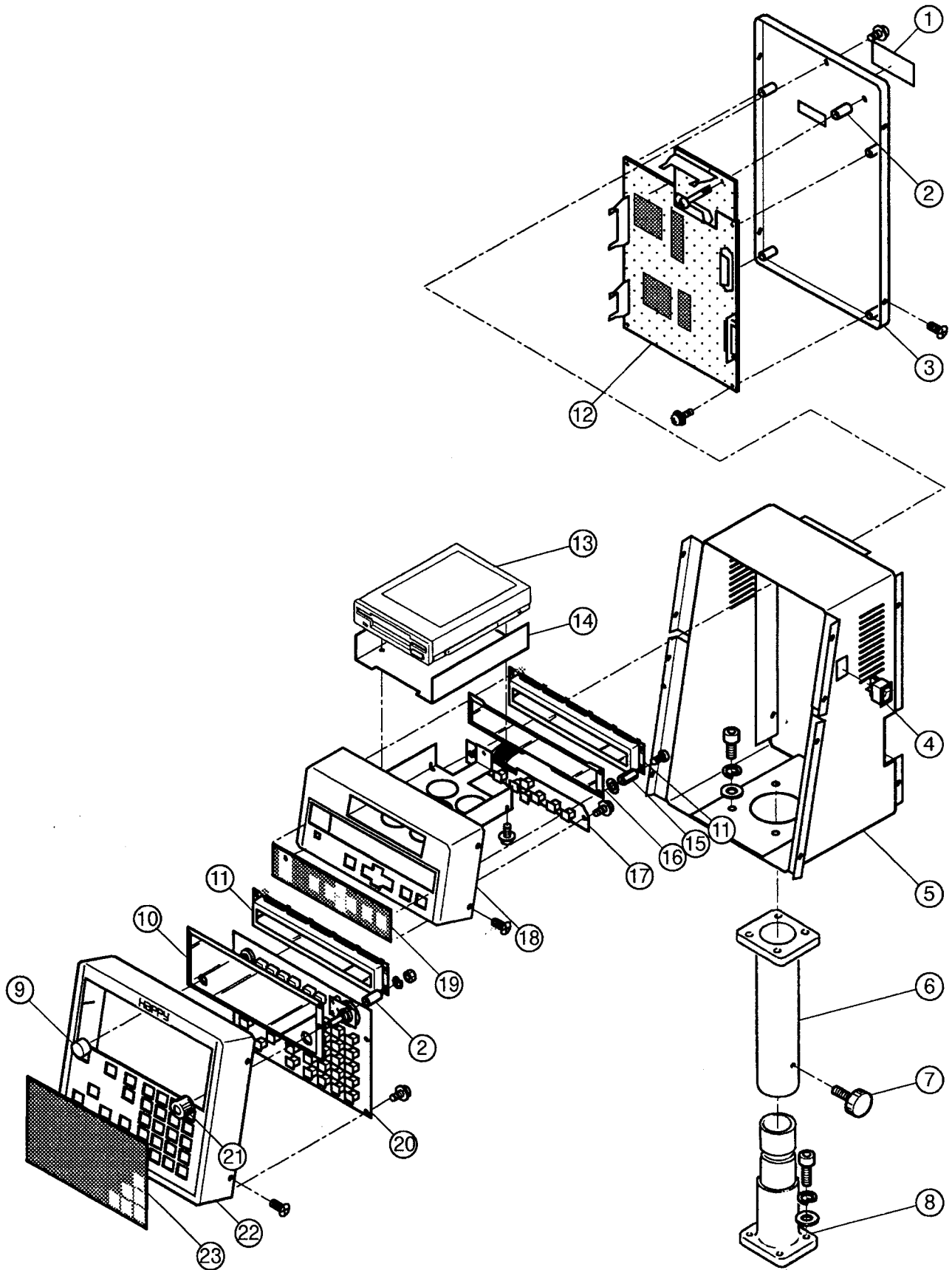
組 Ass'y	指図 Elt	部品番号 PARTS No.	PARTS NAMES	S840623 NOTE / 備考
	1	M0427072	Memory board ass'y	
	2	SF427030	Memory board bracket	
	3	SF427040	Main unit side cover (right)	
	4	SF427060	Main unit base	
	5	EPJ00580	Power supply terminal for reader	
	6	EPJ00540	Communication terminal for reader	
	7	SF427120	Outlet (with frame)	
	8	EPF00070	Fuse holder	
	9	EPF00190	Fuse (3A)	
	11	EPK00181	Circuit protector	
	12	EPK00170	Transformer	
	13	EPK00630	Transformer	
	14	SF427050	Main unit side cover (left)	
	15	EPF00060	Terminal base	
	16	EPK00150	Transformer	
	17	EPM00250	Inverter	
	18	EPK00470	Noise filter	
	19	EPK00130	Fan	
	20	EPF00150	Fuse (2A)	
	21	EPF00140	Fuse (1A)	
	22	SF527051	Power supply board ass'y	
	23	EPK00440	Switching power supply	
	24	SF427101	W-CPU board ass'y	
	25	SF427022	Bracket for W-CPU board	
	26	SF427018	Main unit body	
	27	EPM00194	Pulse motor driver	
	28	SF524151	Driver bracket	
	29	SF424160	Air filter	



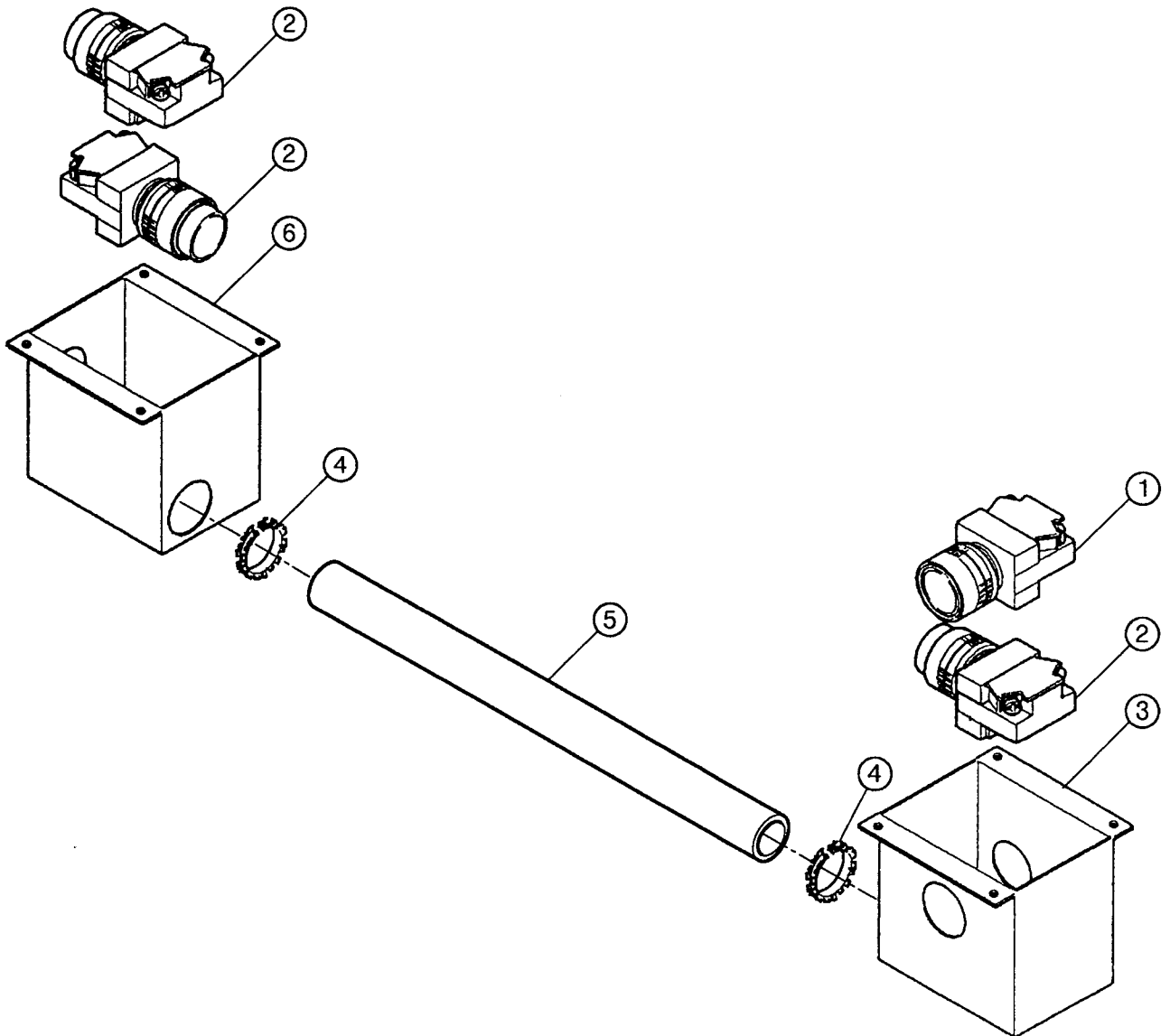
THREAD CATCH DRIVER

15.3

組	指図	部品番号		S848831
Ass'y	El't	PARTS No.	PARTS NAMES	NOTE / 備考
	1	M0427451	Thread catch driver cover	
	2	EPS00480	Switch	
	3	EPK00090	Noise filter	
	4	EPK00540	Transformer (1R-505)	
	5	MPZ00370	Stud (M3x10)	
	6	M0427441	Thread catch driver body	
	7	EPP00010	Neon lamp	
	8	EPC00640	Electrolytic condenser	
	9	SF583030	Condenser connecting board ass'y	
	10	-	Duct	
	11	EPD00010	Diode stack	
	12	EPK00520	Transformer (2R-121)	
	13	EPF00080	Terminal	
	14	M0427092	Thread catch circuit board ass'y	



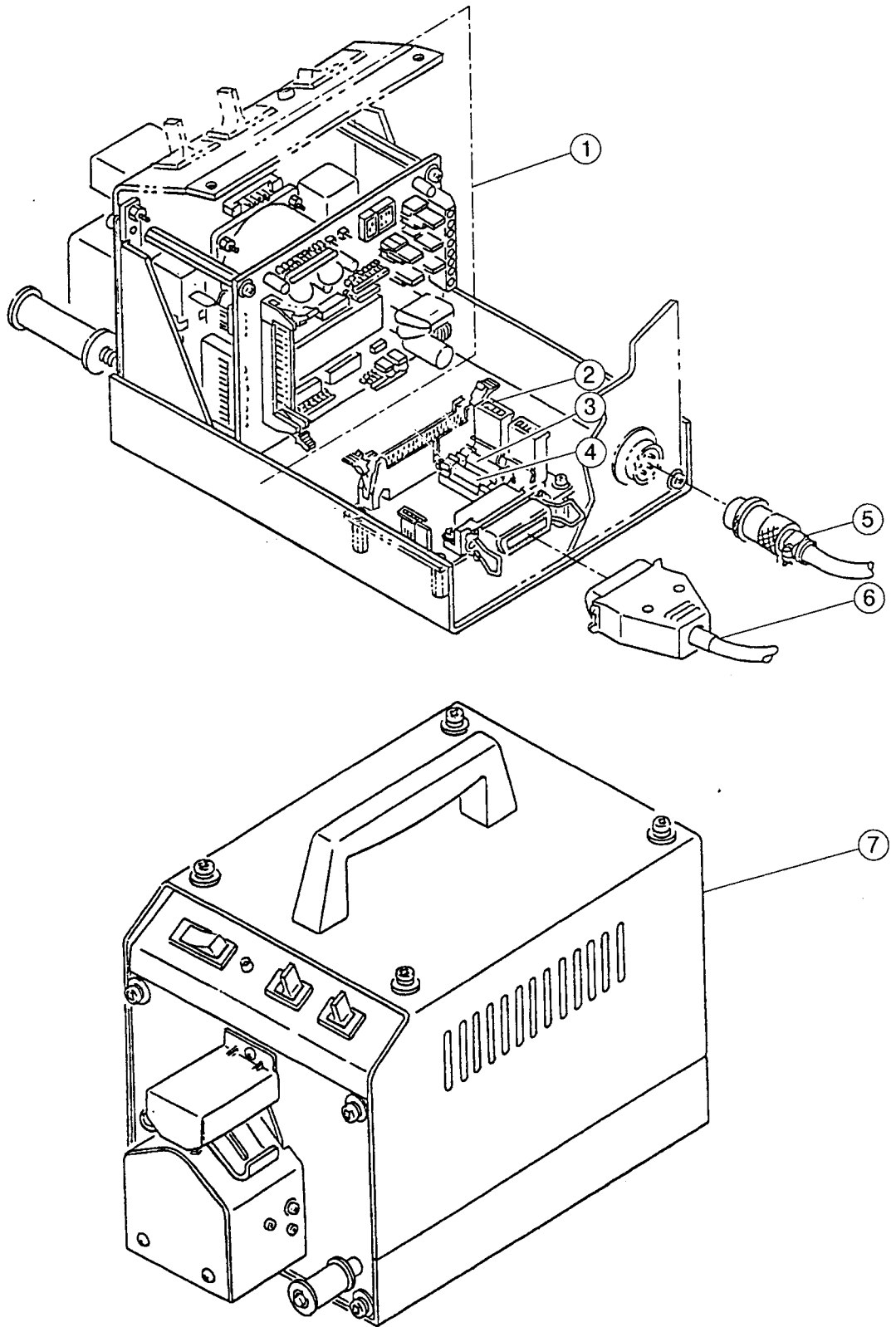
組	指図	部品番号		S848831
Ass'y	El't	PARTS No.	PARTS NAMES	NOTE / 備考
	1	M0429451	DIP switch setting list for disk drive	
	2	MPZ00360	Spacer	
	3	SF529043	Rear panel	
	4	EPS00480	Switch	
	5	SF529014	Main body	
	6	SF529090	Pillar (A)	
	7	-	Thumb screw	
	8	SF529100	Pillar (B)	
20*	9	EPS00640	Switch top	
	10	SF429020	Acrylic panel for control panel	
	11	SF429092	Liquid crystal display	
	12	M0429334	FDC circuit board ass'y	
	13	EPZ00281	Disk drive unit (3mode type)	
	14	HMF29120	Insulation plate	
	15	-	Stud (M3x10)	
	16	SF529080	Acrylic panel for disk drive	
	17	M0429350	Switch board ass'y for disk drive	
	18	SF529025	Front panel for disk drive	
	19	M0429310	Switch sheet for disk drive	
	20	SF429100	Switch board ass'y	
20*	21	-	Speed adjustment knob	
	22	SF529053	Front panel	
	23	SF429030	Switch sheet	



SWITCH BOX

17.1

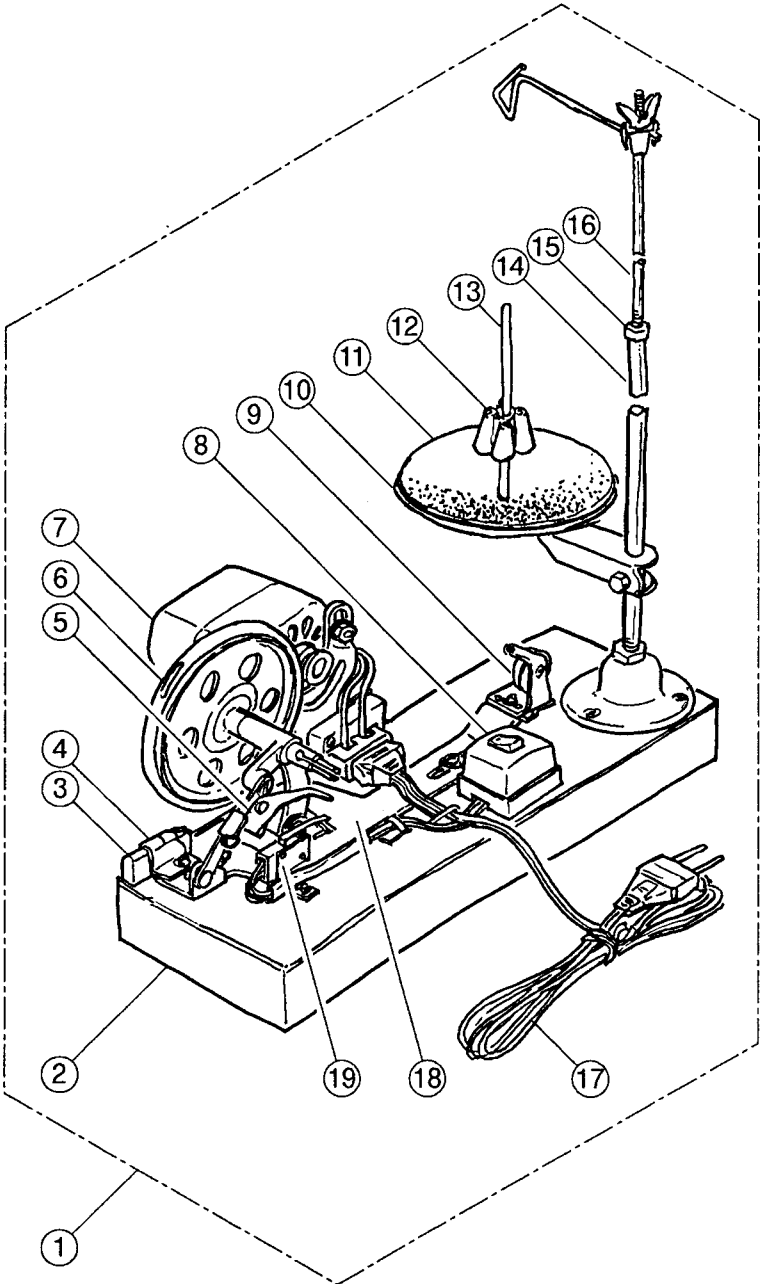
組	指図	部品番号		S848831
Ass'y	El't	PARTS No.	PARTS NAMES	NOTE / 備考
	1	EPS00650	Switch	
	2	EPS00660	Switch	
	3	SF435020	Bar switch box (right)	
	4	EPN00010	Flexible bushing	
	5	SF535001	Switch bar	
	6	SF435010	Bar switch box (left)	



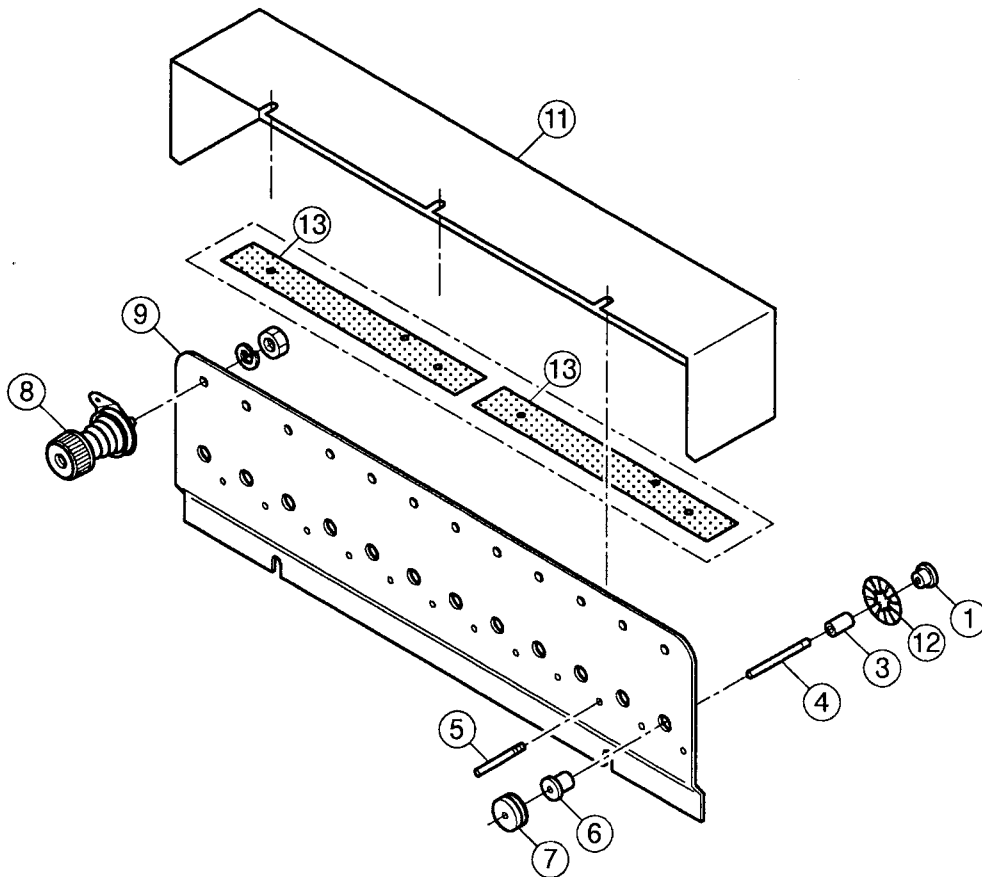
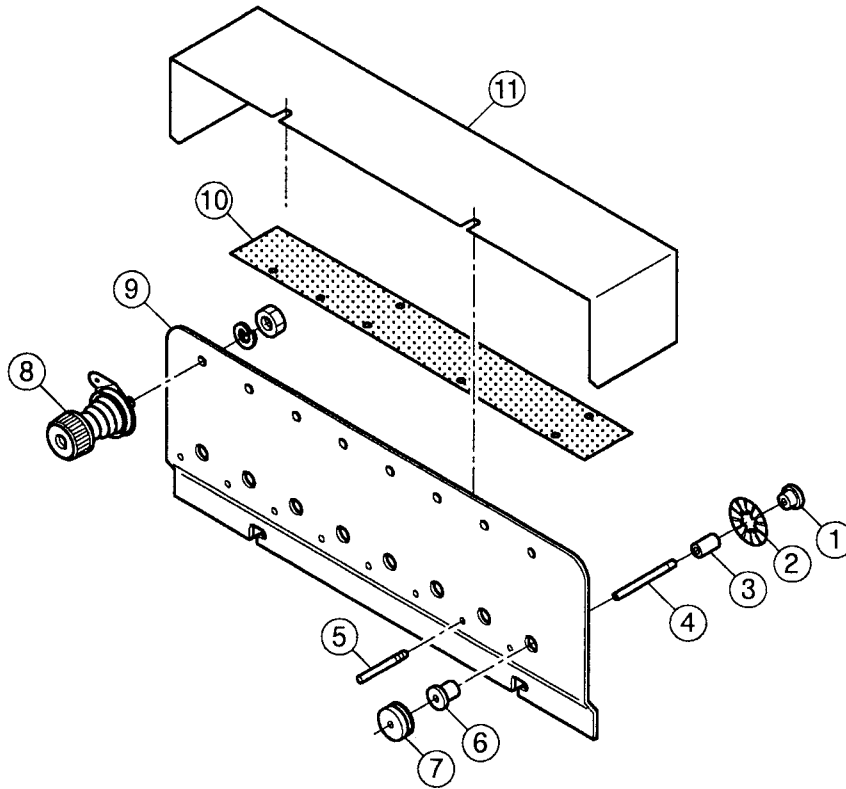
TAPE READER

18.1

組	指図	部品番号		MF8831
Ass'y	El't	PARTS No.	PARTS NAMES	NOTE / 備考
	1	EPK00120	Read unit	
	2	M0436022	Leader connector board ass'y	
	3	EPF00210	Fuse (1A)	
	4	EPF00220	Fuse (2A)	
	5	M0470891	Power supply cord for reader	
	6	M0470901	Communication cord for reader	
	7	M0436010	Tape reader ass'y	



組	指図	部品番号		MF9827
Ass'y	El't	PARTS No.	PARTS NAMES	NOTE / 備考
	1	EPK00390	Bobbin winder (100V)	
	1	EPK00400	Bobbin winder (220V)	
	2	MPZ01630	Table	
	3	MPZ01740	Brake rubber	
	4	MPZ01750	Brake rubber fixer	
	5	MPZ01730	Hold spring	
	6	MPV00490	Belt (6mm)	
	7	EPM00361	Motor (100V)	
	7	EPM00371	Motor (220V)	
	8	EPS00630	Power switch	
	9	MPZ01770	Thread tension unit	
	10	MPZ01710	Spool disc	
	11	MPZ01700	Spool mat	
	12	MPZ01690	Spool spring	
	13	MPZ01680	Spool pin	
	14	MPZ01650	Main pillar	
	15	MPZ01670	Nut	
	16	MPZ01660	Assist pillar	
	17	EPE00040	Motor cable	
	18	MPZ01760	Base	
	19	EPS00620	Stop switch	



組 Ass'y	指図 El't	部品番号 PARTS No.	PARTS NAMES	MF8831 NOTE / 備考
	1	MPZ00350	Eyelet	
	2	M0445060	Slit disc	
	3	MPZ00360	Spacer	
	4	M0445070	Roller shaft	
	5	M0445103	Thread guide bar	
	6	M0445080	Roller shaft support	
	7	M0445092	Detecting roller	
	8	M0416124	Thread guide unit	
	9	M0445054	Fixing plate (for 7 needle)	
	9	M0445044	Fixing plate (for 8 needle)	
	9	HMG17162	Fixing plate (for 10 needle)	
	9	HMG17221	Fixing plate (for 12 needle)	
10		M0445020	Detecting board ass'y (for 7 needle)	
10		M0445030	Detecting board ass'y (for 8 needle)	
10		HMF83120	Detecting board ass'y (for 10 needle)	
11		M0445013	Cover for fixing plate (for 7 needle)	
11		M0445003	Cover for fixing plate (for 8 needle)	
11		HMG17150	Cover for fixing plate (for 10 needle)	
11		HMG17230	Cover for fixing plate (for 12 needle)	
12		HMG17211	Slit disc 2	
13		HCG83120	Detecting board ass'y (for 12 needle)	